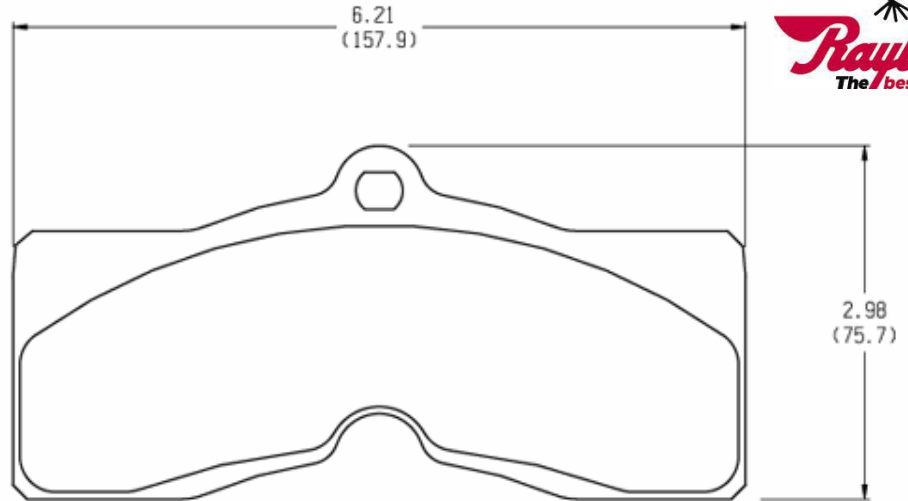


# R8

FMSI # D8

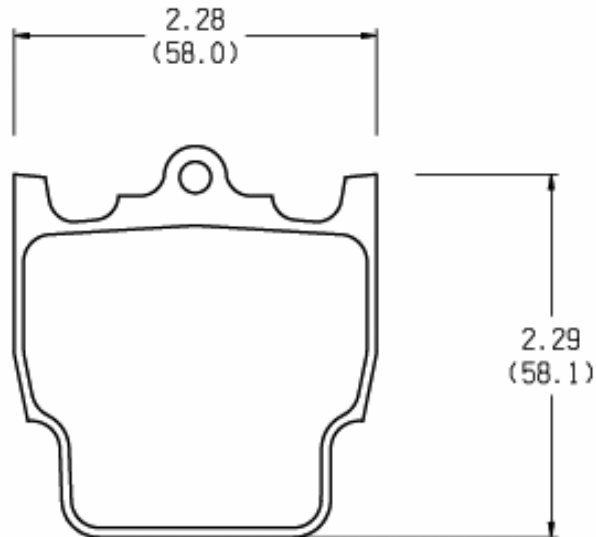


## Raybestos Part Numbers

## Caliper Application

Part #	Thickness	Fitments
R8	.49" / 12.3mm	GM – Early Camaro, Corvette
R8A	.57" / 14.5mm	
R8B	.79" / 20.0mm	

# R10

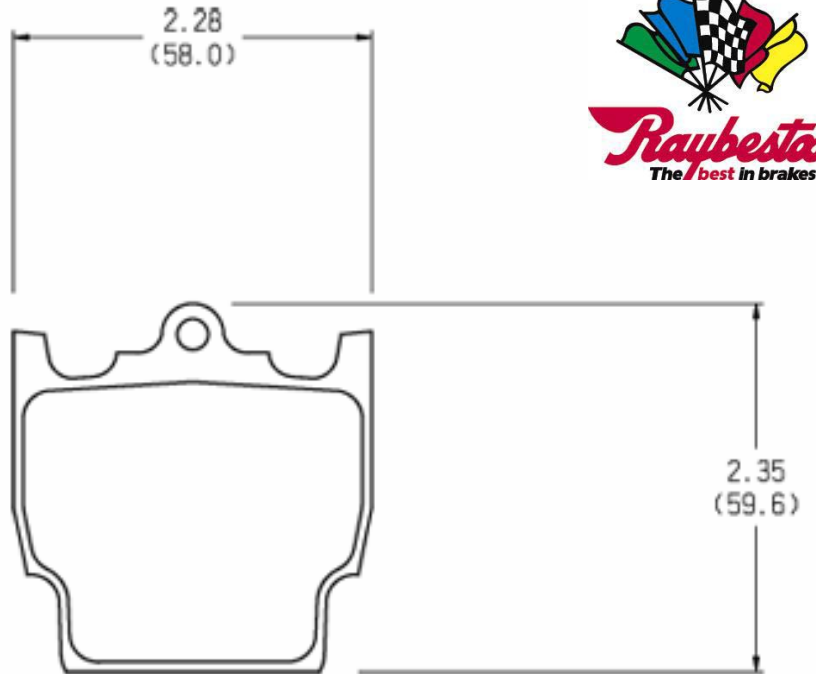


## Raybestos Part Numbers

## Caliper Application

Part #	Thickness	Fitments
R10	.71" / 18.0mm	Alcon, WRC
R10A	.87" / 22.0mm	
R10B	.67" / 17.0mm	

# R11

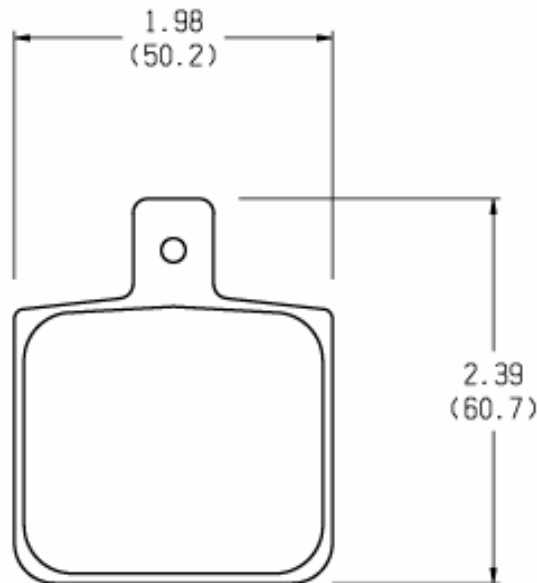


## Raybestos Part Numbers

## Caliper Application

Part #	Thickness	Fitments
R11	.70" / 18.0mm	
R11A	.85" / 22.0mm	

# R20

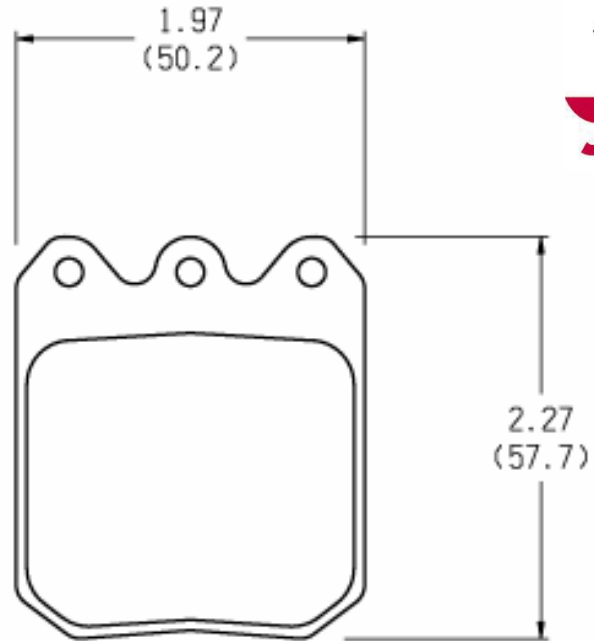


## Raybestos Part Numbers

## Caliper Application

Part #	Thickness	Fitments
R20	.50" / 12.7mm	Aerospace, JFZ, M-W, Outlaw,
R20A	.47" / 12.0mm	Sierra, Strange, Wilwood

# R25



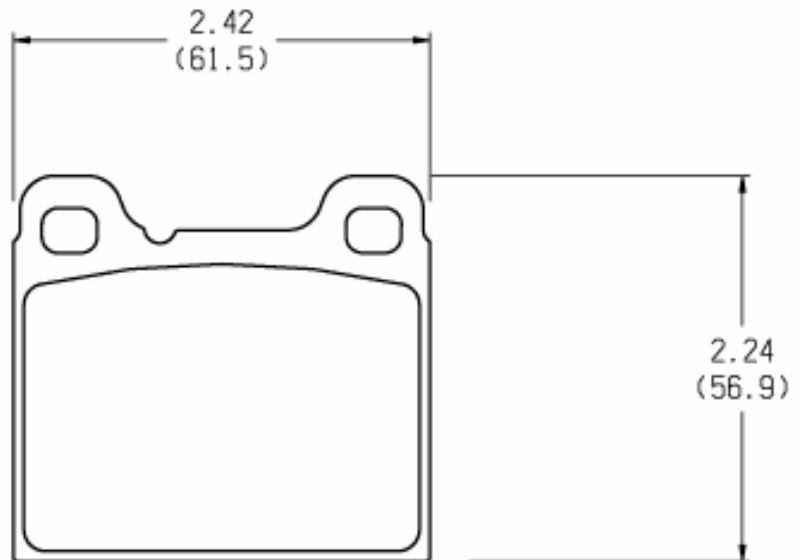
### Raybestos Part Numbers

### Caliper Application

Part #	Thickness	Fitments
R25	.50" / 13.0mm	Wilwood

# R31

FMSI # D31, 541



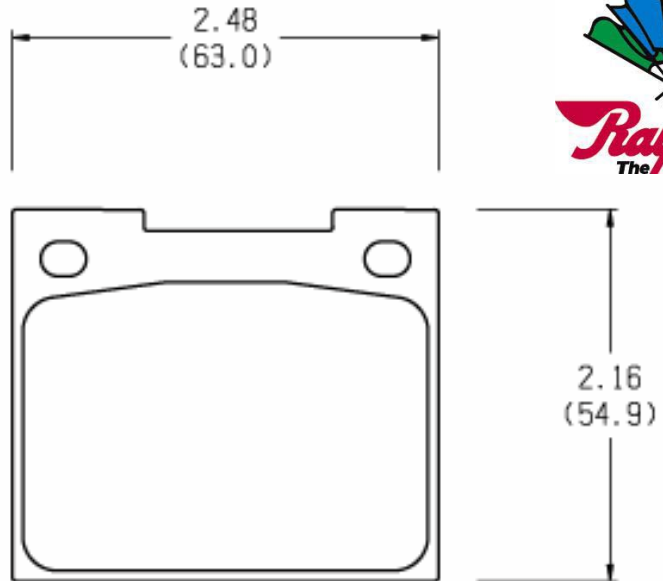
### Raybestos Part Numbers

### Caliper Application

Part #	Thickness	Fitments
R31	.59" / 15.0mm	Alpha Romeo, Early ATE, BMW,
R31A	.50" / 13.0mm	Mercedes, Porsche, Early
		Lucas Girling, Volvo

# R44

FMSI # D44



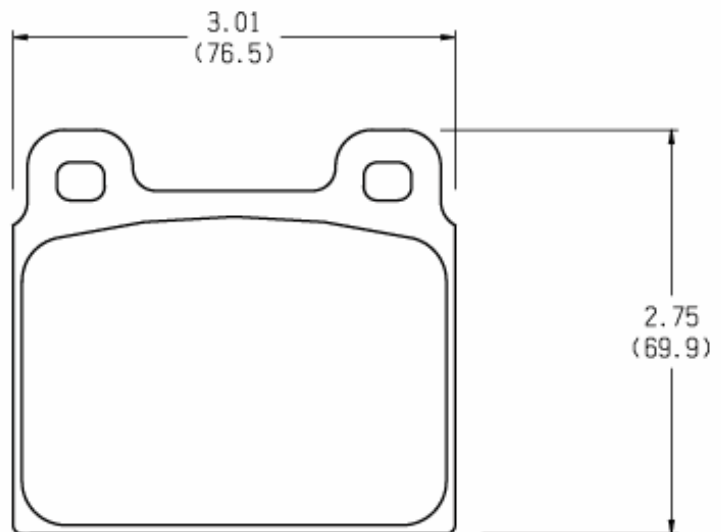
## Raybestos Part Numbers

## Caliper Application

Part #	Thickness	Fitments
R44	.56" / 14.0mm	Alcon "R", Formula Mazda, Lotus,
		Lucas Girling, BMW Junior Series
		Open Wheel

# R45

FMSI # D45



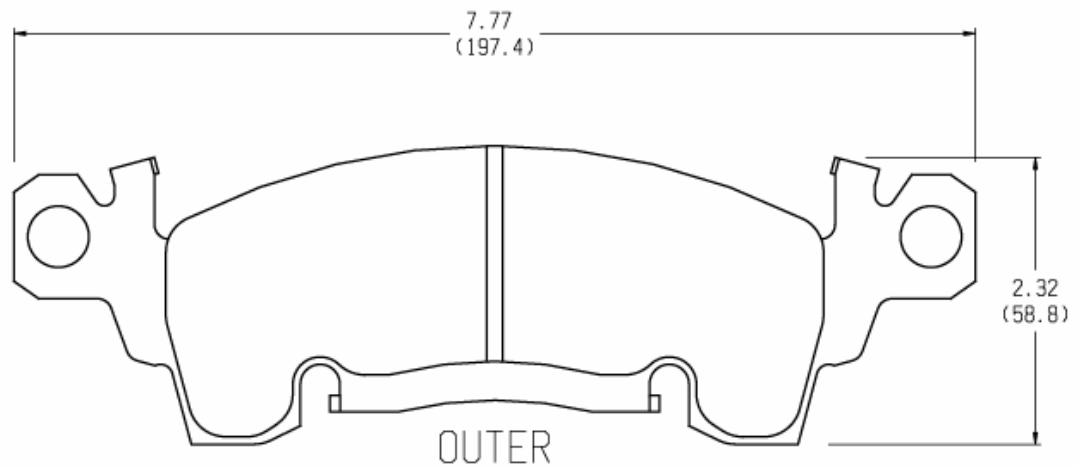
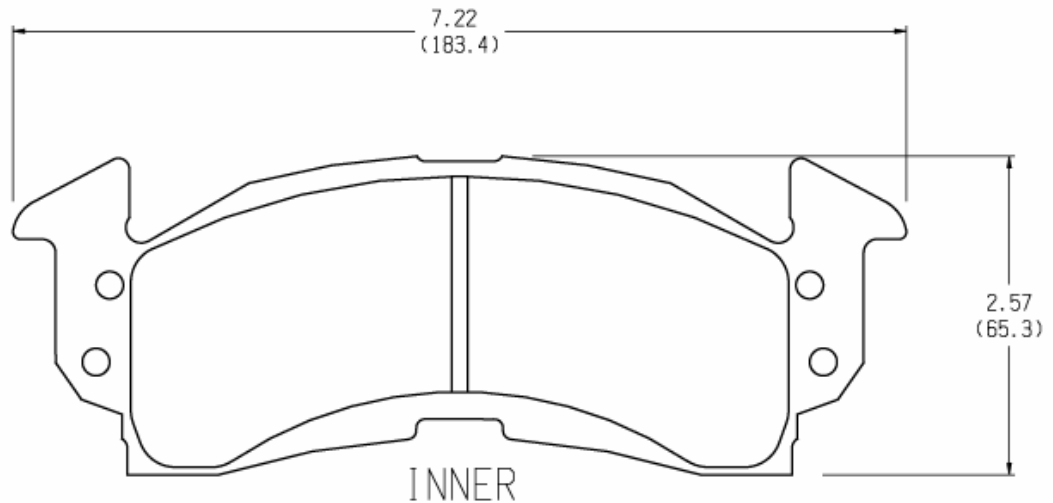
## Raybestos Part Numbers

## Caliper Application

Part #	Thickness	Fitments
R45	.75" / 19.0mm	Early BMW, Porsche
R45A	.59" / 15.0mm	
R45B	.66" / 17.4mm	

# R52

FMSI # D52, D313, D614



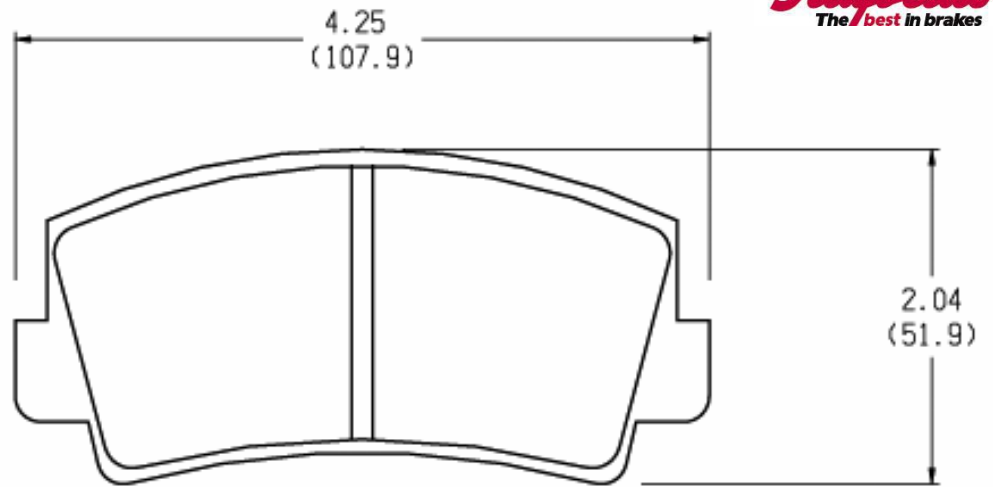
## Raybestos Part Numbers

## Caliper Application

Part #	Thickness	Fitments
R52 (inner)	.57" / 14.5mm	GM, Howe, Wilwood
R52 (outer)	.52" / 13.2mm	

# R76

FMSI # D76



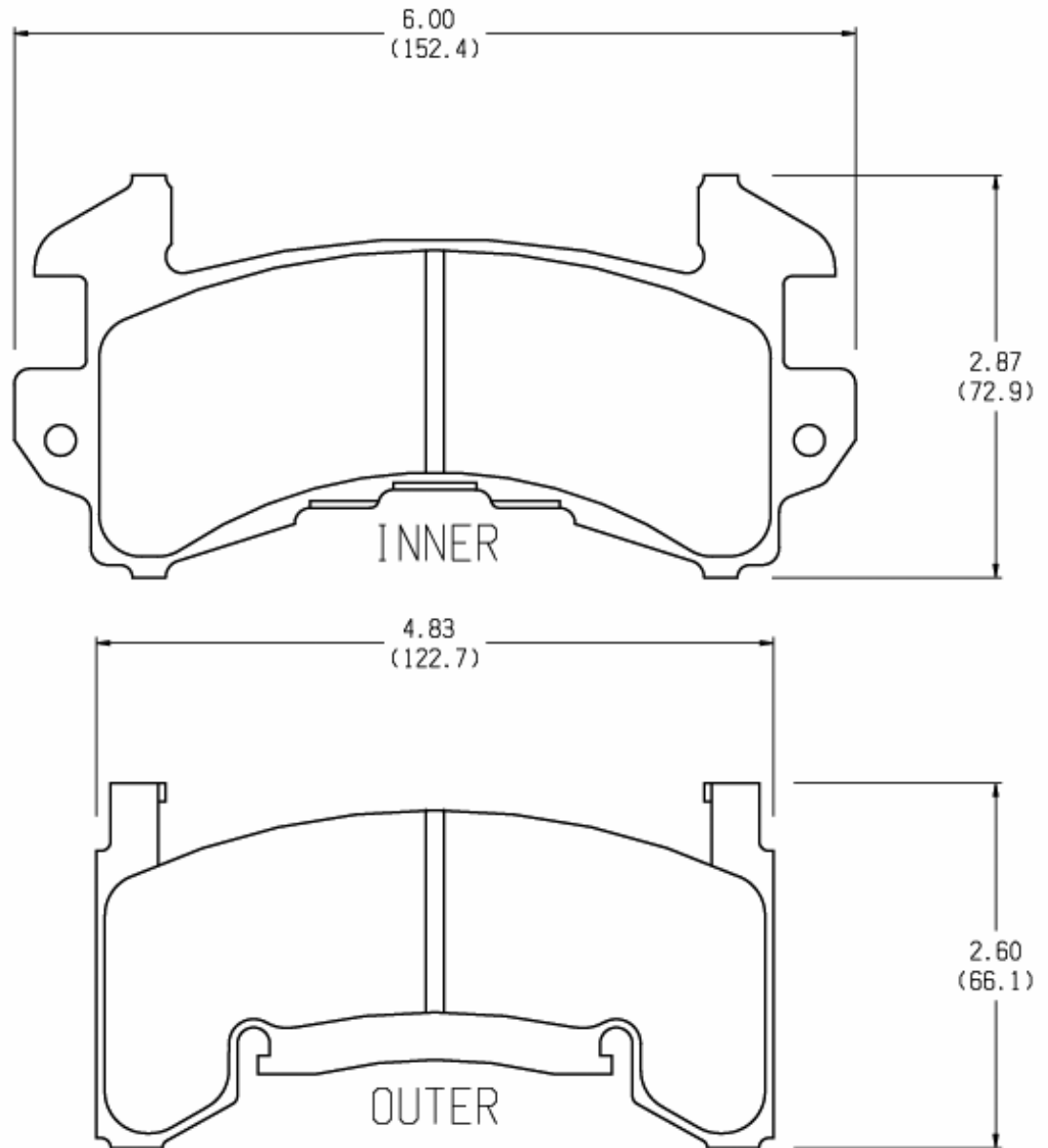
## Raybestos Part Numbers

## Caliper Application

Part #	Thickness	Fitments
R76	.59" / 15.0mm	Early Mazda

# R154

FMSI # D138, D154,  
D202, D767

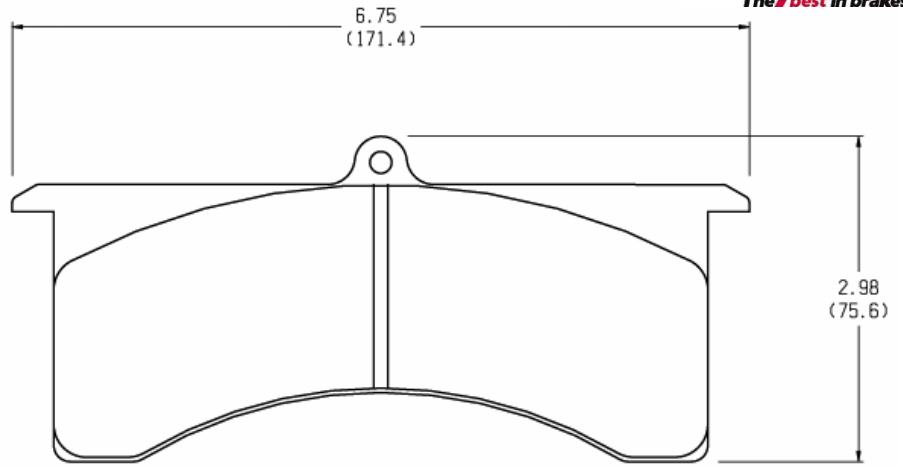


## Raybestos Part Numbers

## Caliper Application

Part #	Thickness	Fitments
R154	.54" / 13.6mm	GM, Wilwood

# R200

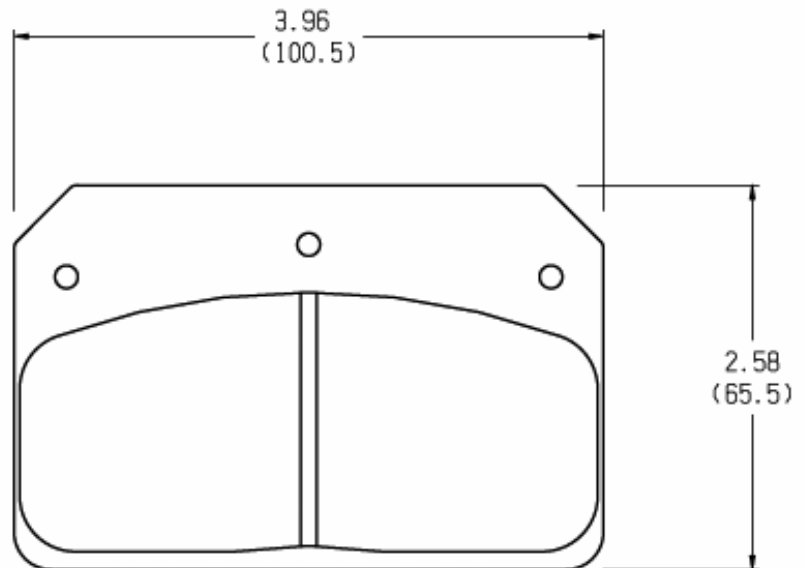


## Raybestos Part Numbers

## Caliper Application

Part #	Thickness	Fitments
R200	.78" / 19.8mm	AP Racing, JFZ, Outlaw,
R200A	.98" / 25.0mm	Racemaster, Sierra, Stock Car
		Products, Wilwood

# R300



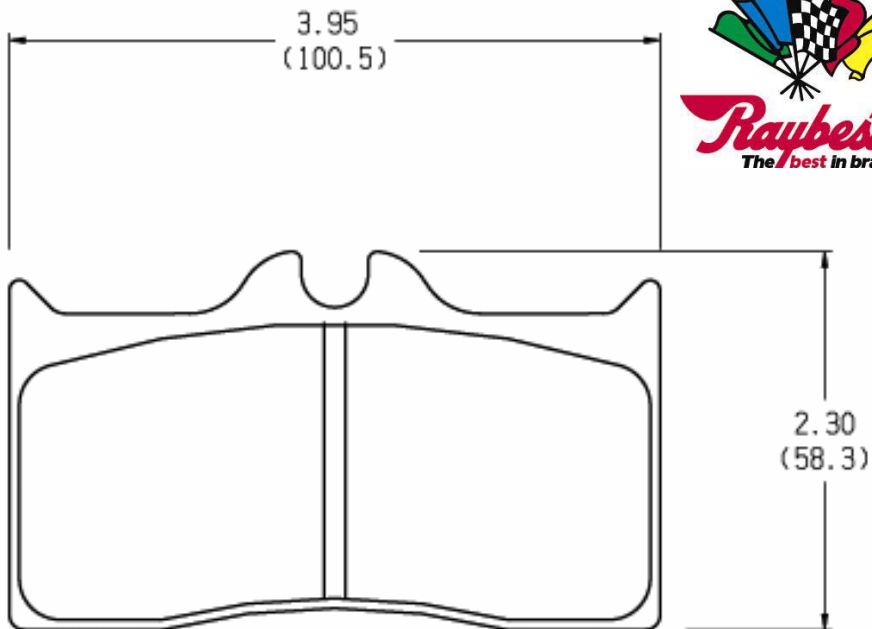
## Raybestos Part Numbers

## Caliper

Part #	Thickness	Fitments
R300	.49" / 12.3mm	Aerospace, JFZ, Lamb, Outlaw,
R300A	.63" / 16.0mm	Sierra, Wilwood



# R301

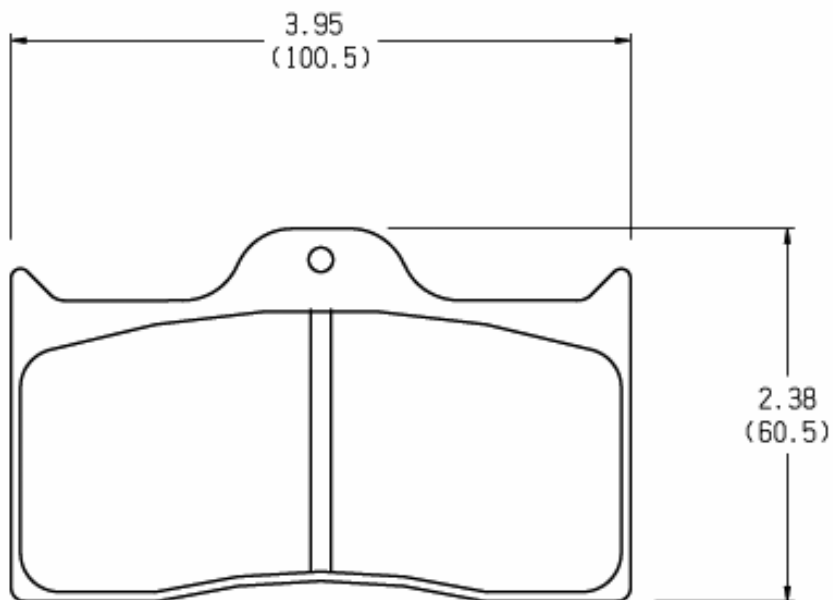


### Raybestos Part Numbers

### Caliper Application

Part #	Thickness	Fitments
R301	.49" / 12.3mm	Aerospace, JFZ, M-W, Outlaw,
R301A	.63" / 16.0mm	Sierra, Wilwood

# R302

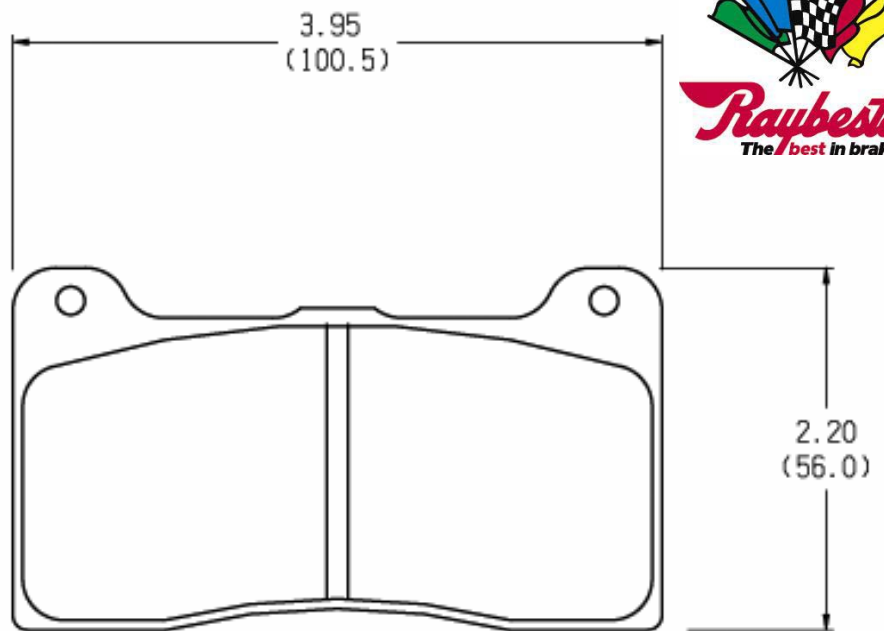


### Raybestos Part Numbers

### Caliper Application

Part #	Thickness	Fitments
R302	.49" / 12.3mm	Aerospace, JFZ, M-W, Outlaw,
R302A	.63" / 16.0mm	Sierra, Wilwood

# R303

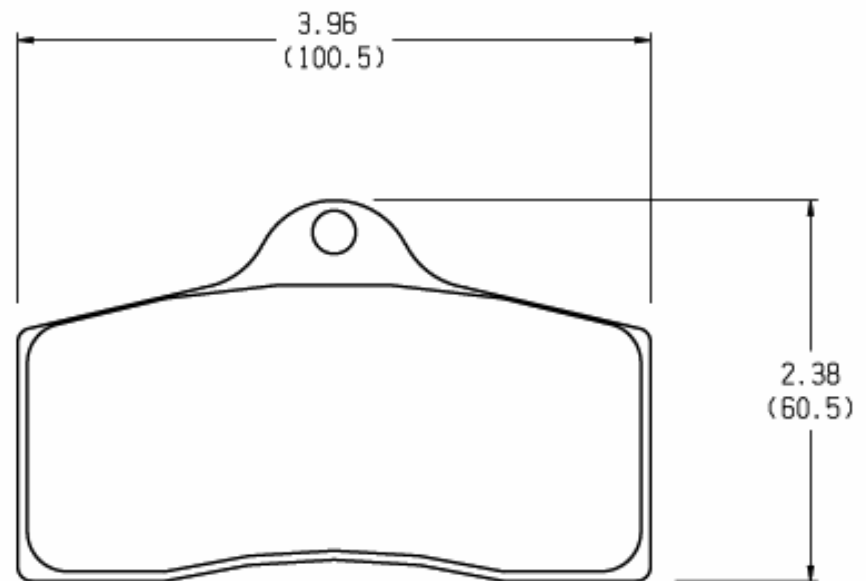


### Raybestos Part Numbers

### Caliper Application

Part #	Thickness	Fitments
R303	.60" / 15.2mm	Wilwood

# R327



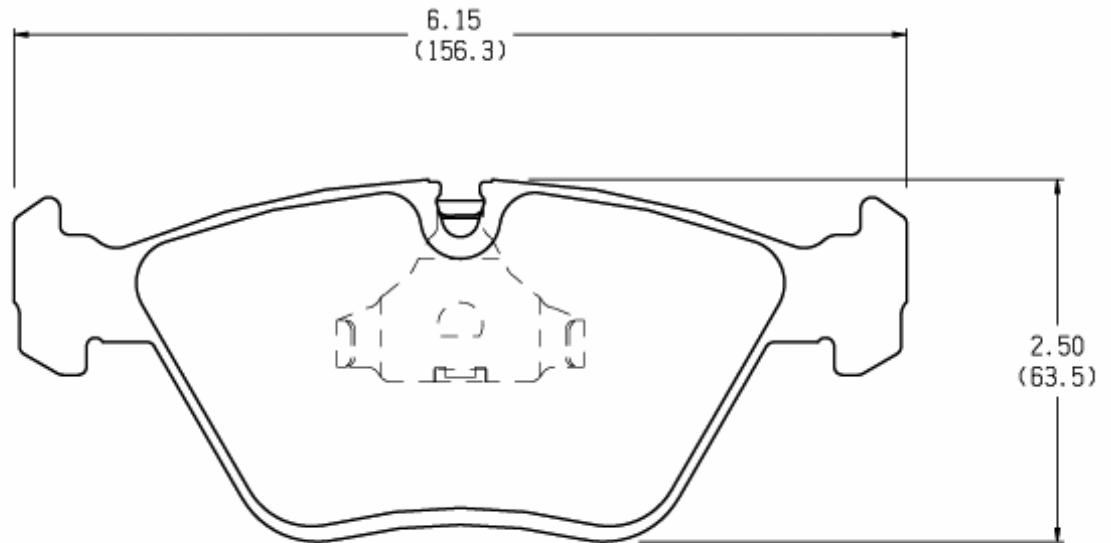
### Raybestos Part Numbers

### Caliper Application

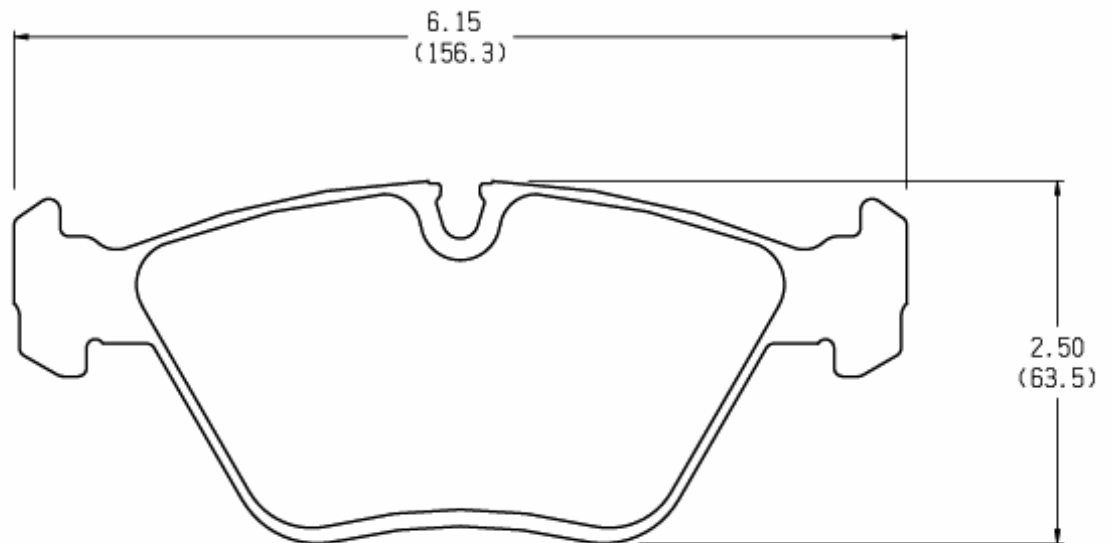
Part #	Thickness	Fitments
R327	.49" / 12.4mm	Wilwood

# R394

FMSI # D394



INNER



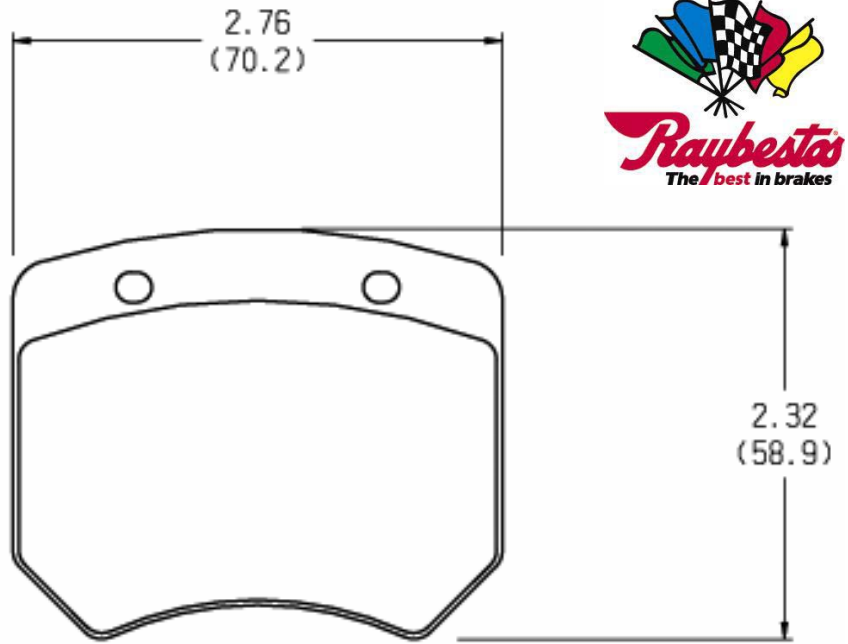
OUTER

## Raybestos Part Numbers

## Caliper Application

Part #	Thickness	Fitments
R394	.75" / 19.0mm	BMW

# R400



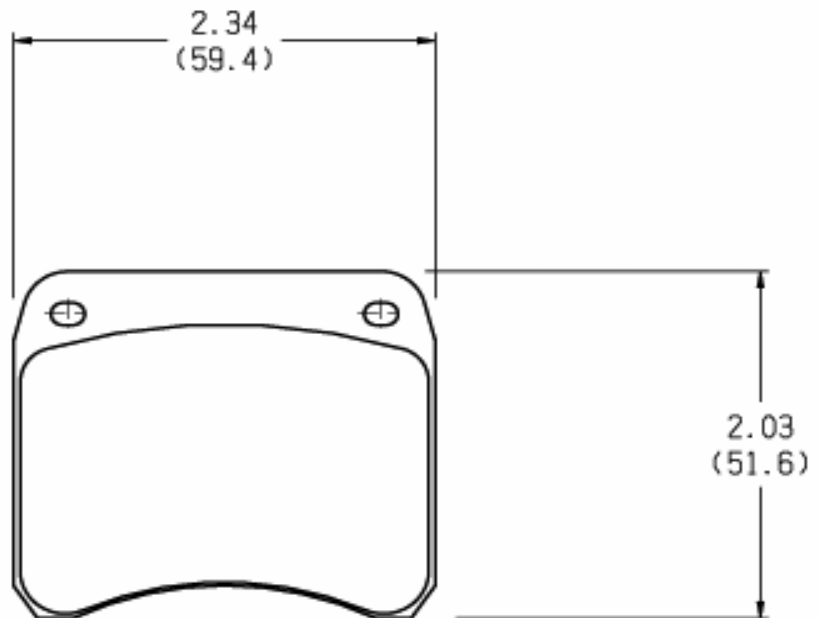
## Raybestos Part Numbers

## Caliper Application

Part #	Thickness	Fitments
R400	.86" / 21.8mm	AP Racing, Formula Ford 2000,
R400A	.57" / 14.5mm	Lucas Girling

# R401

FMSI # D64



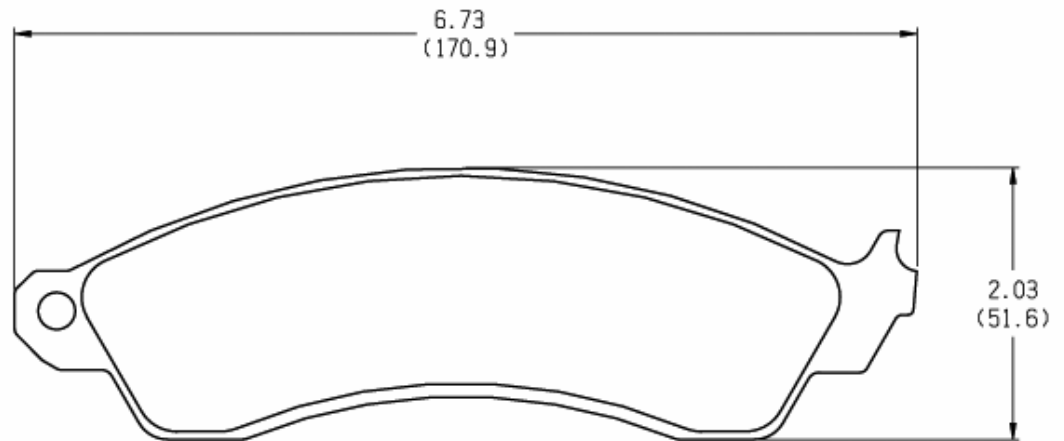
## Raybestos Part Numbers

## Caliper Application

Part #	Thickness	Fitments
R401	.42" / 10.6mm	Alcon, AP Racing, Formula Ford
R401A	.39" / 10.0mm	1600

# R412

FMSI # D412



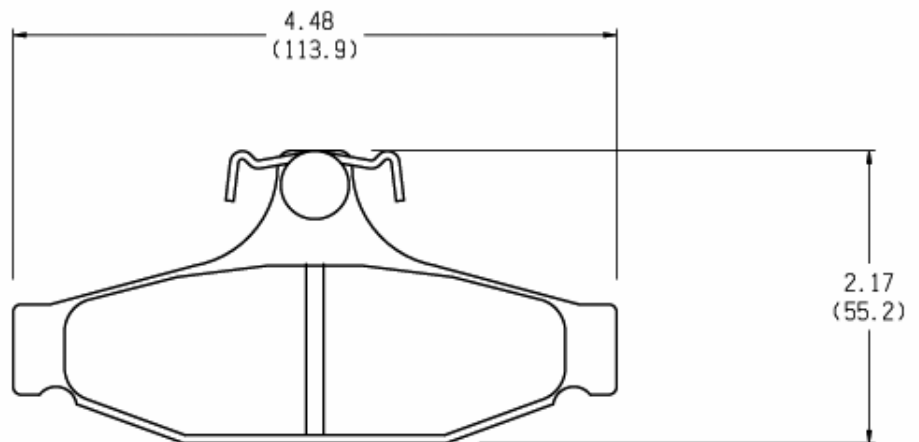
### Raybestos Part Numbers

### Caliper Application

Part #	Thickness	Fitments
R412	.60" / 15.0mm	Camaro, Corvette, Mustang, PBR

# R413

FMSI # D413



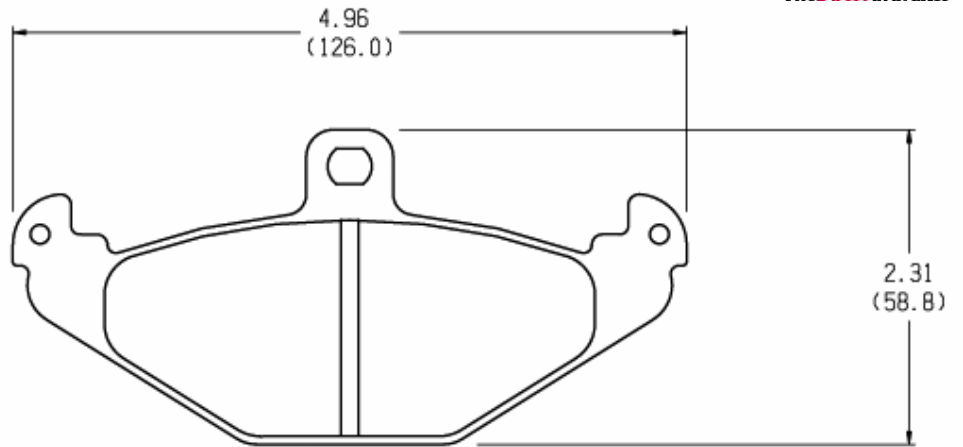
### Raybestos Part Numbers

### Caliper Application

Part #	Thickness	Fitments
R413	.47" / 12.1mm	Baer, Camaro, Corvette, Mustang, PBR

# R491

FMSI # D491

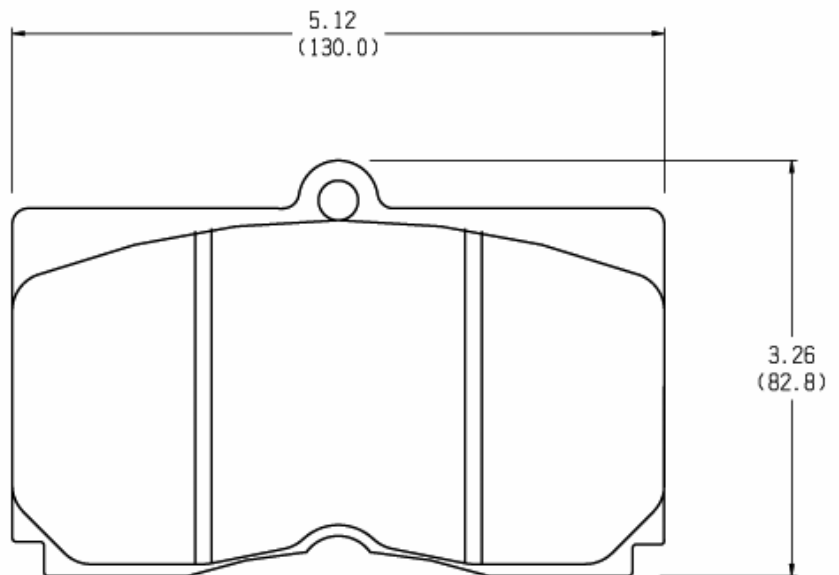


## Raybestos Part Numbers

## Caliper Application

Part #	Thickness	Fitments
R491	.53" / 14.0mm	Viper
R491A	.51" / 13.0mm	

# R500

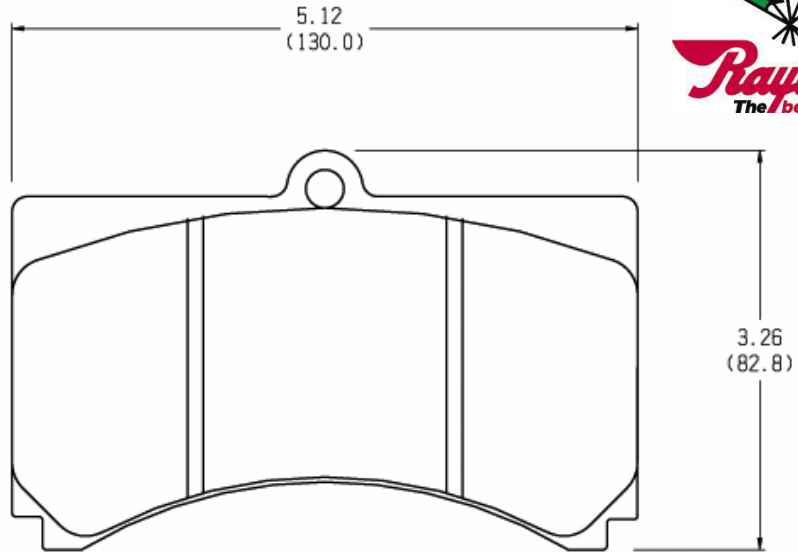


## Raybestos Part Numbers

## Caliper Application

Part #	Thickness	Fitments
R500	.98" / 25.0mm	Alcon, AP Racing, Wilwood

# R501



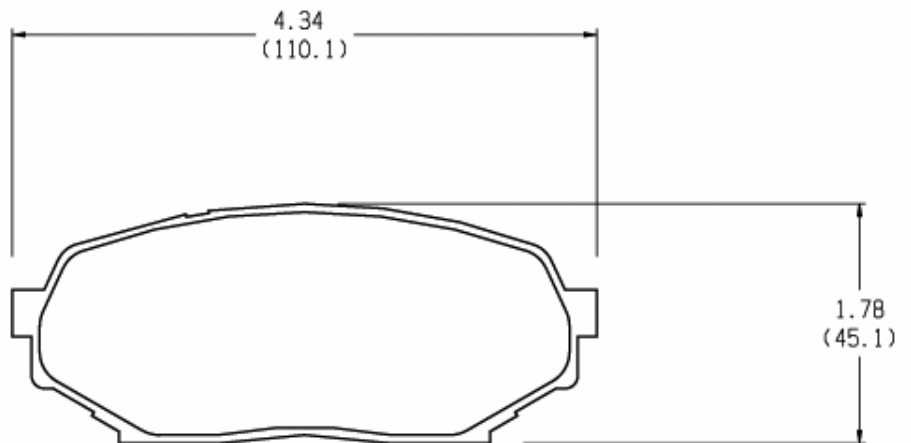
## Raybestos Part Numbers

## Caliper Application

Part #	Thickness	Fitments
R501	.98" / 25.0mm	Alcon, AP Racing, Wilwood
R501A	1.10" / 25.0mm	

# R525

FMSI # D525

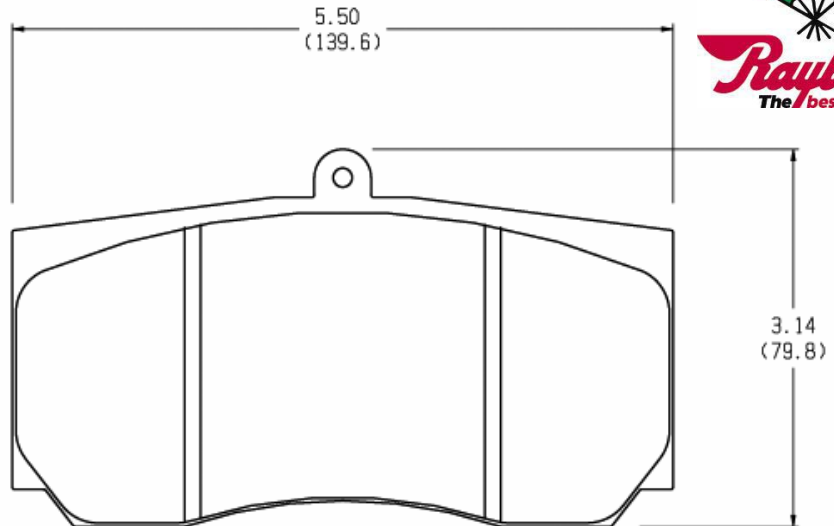


## Raybestos Part Numbers

## Caliper Application

Part #	Thickness	Fitments
R525	.56" / 14.1mm	Mazda Miata (front)

# R561

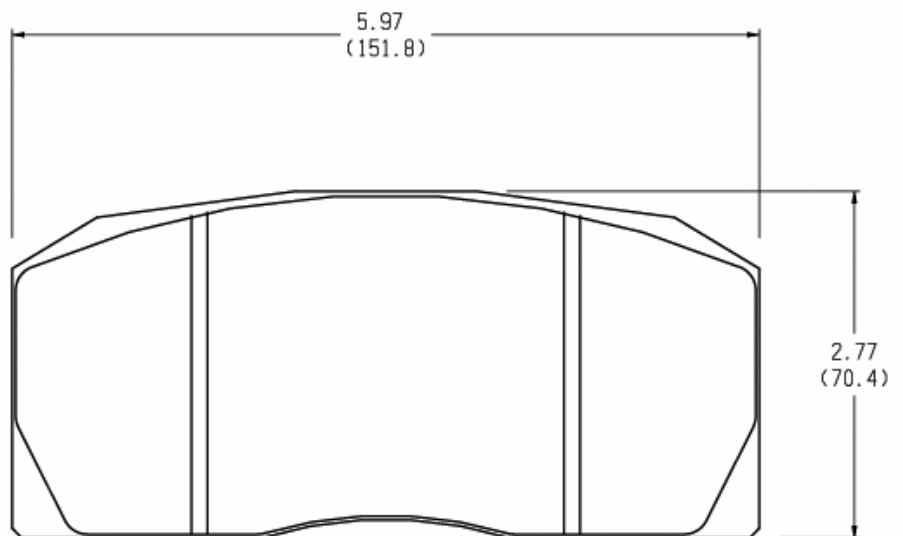


## Raybestos Part Numbers

## Caliper Application

Part #	Thickness	Fitments
R561	1.10" / 27.9mm	AP Racing, Brembo, Wilwood
R561A	1.18" / 30.0mm	
R561B	.63" / 16.0mm	
R561C	.71" / 18.0mm	

# R578



## Raybestos Part Numbers

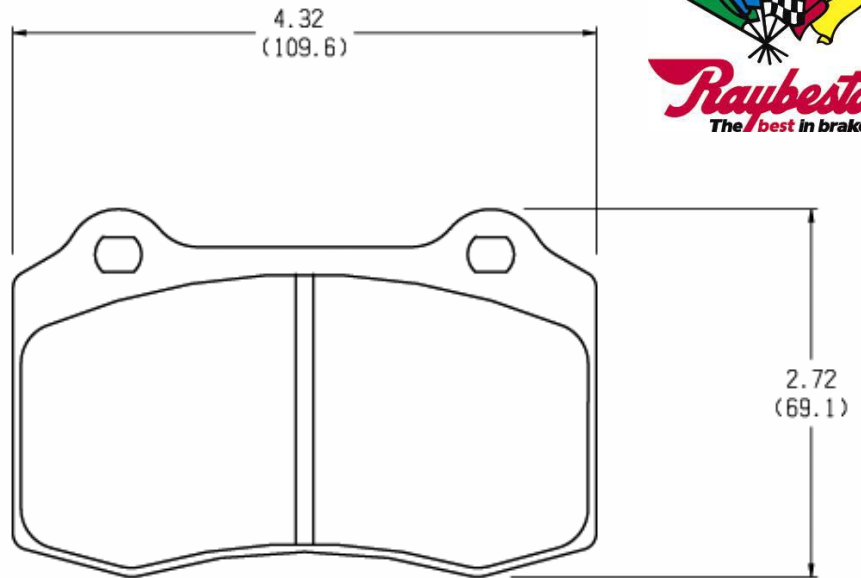
## Caliper Application

Part #	Thickness	Fitments
R578	1.17" / 29.7mm	Alcon, Wilwood



# R592

FMSI # D592

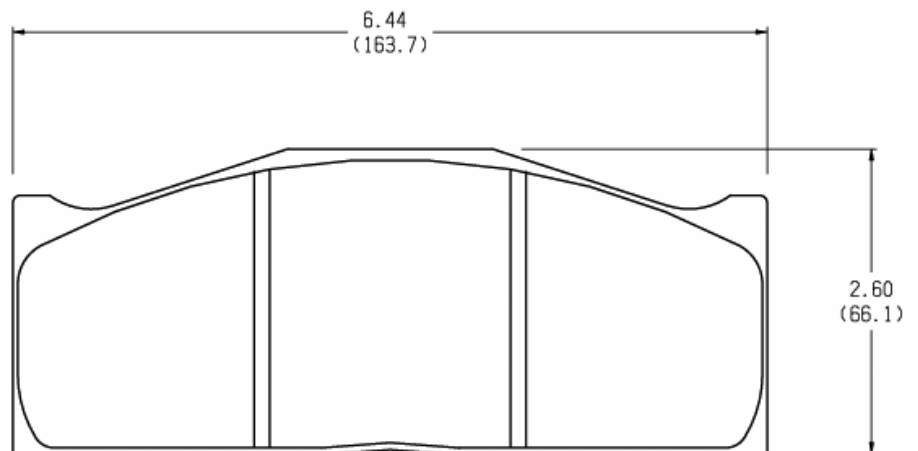


## Raybestos Part Numbers

## Caliper Application

Part #	Thickness	Fitments
R592	.64" / 16.2mm	Brembo, Lotus, Mustang, Viper
R592A	.58" / 15.0mm	

# R600

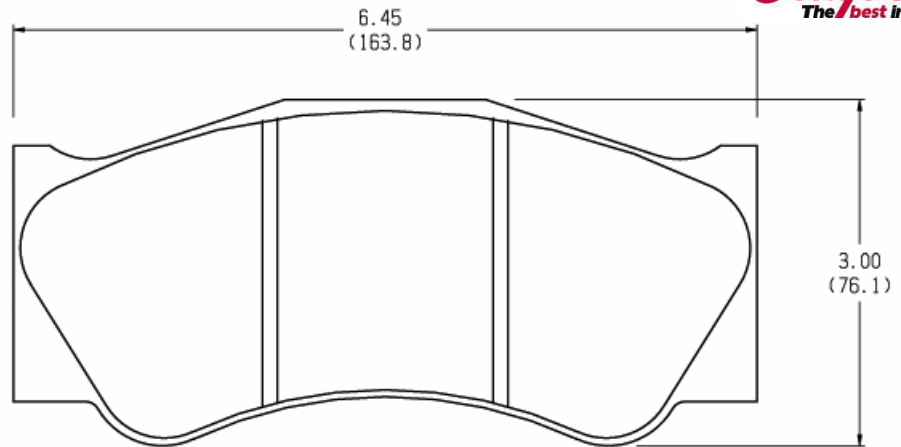


## Raybestos Part Numbers

## Caliper Application

Part #	Thickness	Fitments
R600	1.17" / 29.7mm	Alcon, AP Racing, Brembo, Raybestos
R600A	1.10" / 28.0mm	
R600B	.87" / 22.0mm	

# R601



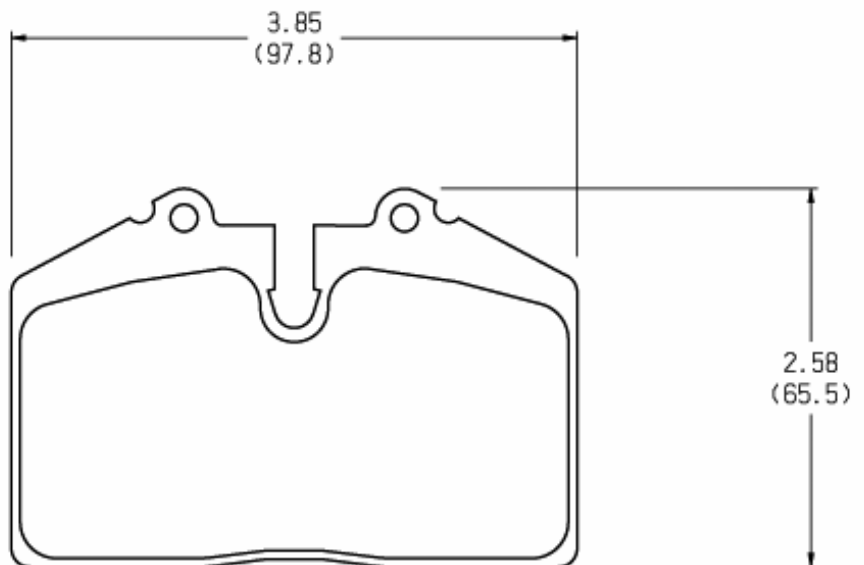
## Raybestos Part Numbers

## Caliper Application

Part #	Thickness	Fitments
R601	1.17" / 29.7mm	Alcon, Raybestos
R601A	1.10" / 28.0mm	
R601B	.87" / 22.0mm	

# R608

**FMSI # D345,  
D446, D608**



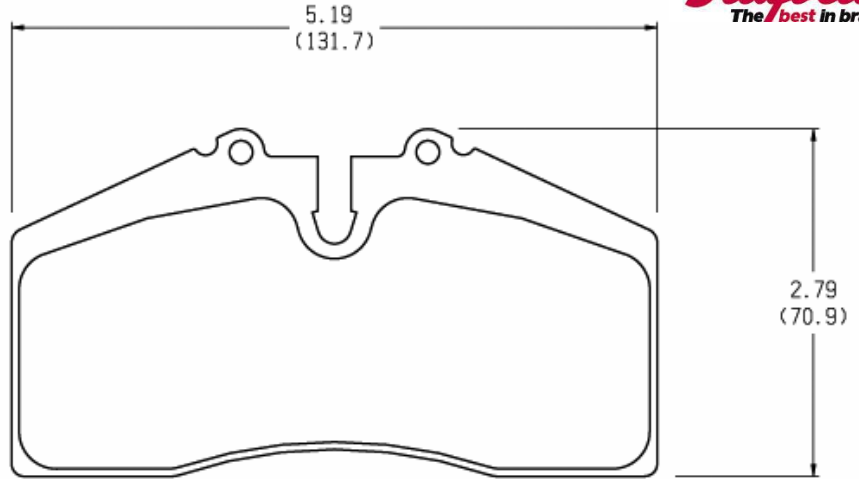
## Raybestos Part Numbers

## Caliper Application

Part #	Thickness	Fitments
R608	.64" / 16.3mm	Brembo, Porsche

# R609

FMSI # D372,  
D447, D609



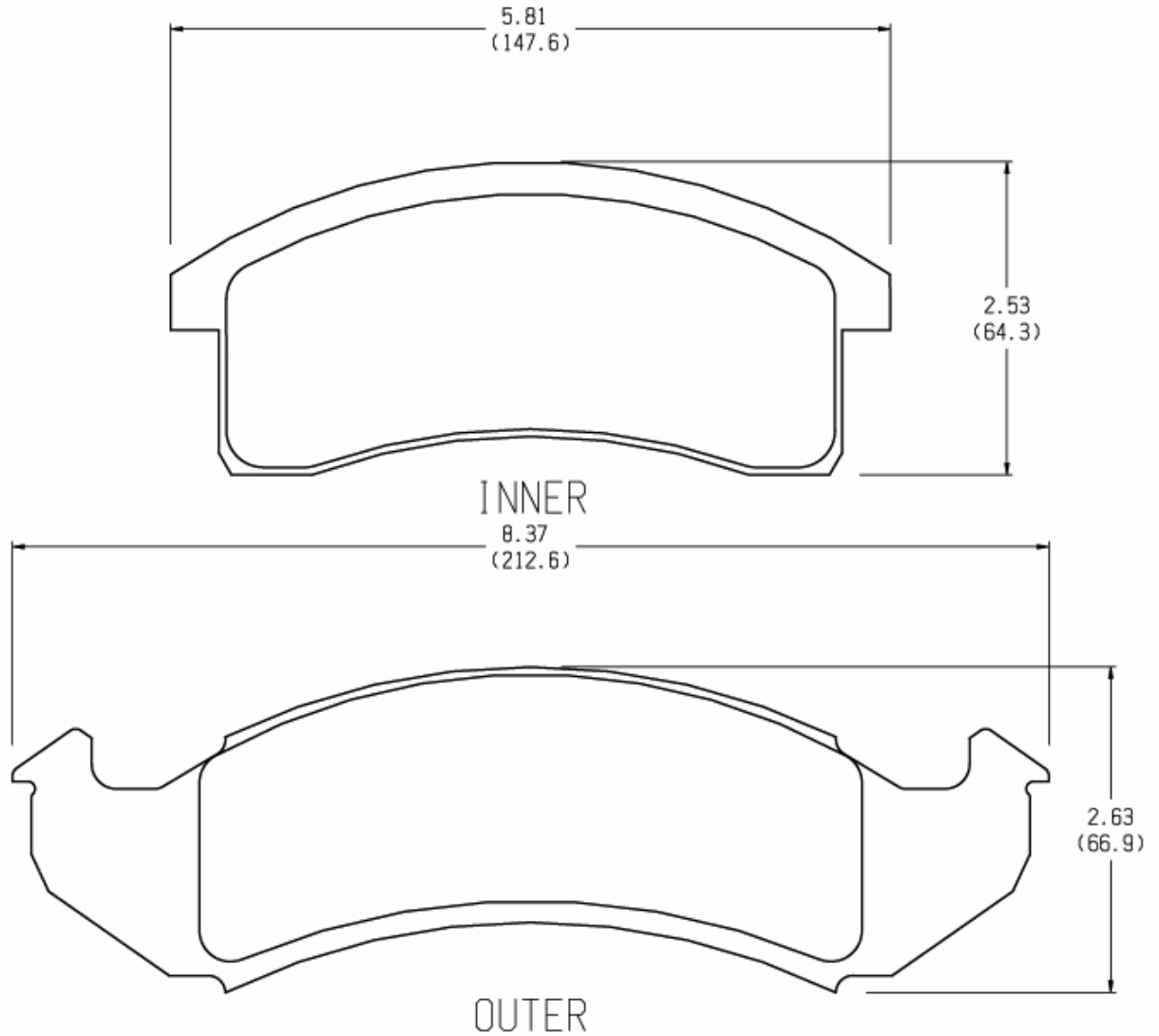
## Raybestos Part Numbers

## Caliper Application

Part #	Thickness	Fitments
R609	.64" / 16.3mm	Brembo, Porsche

# R623

FMSI # D623



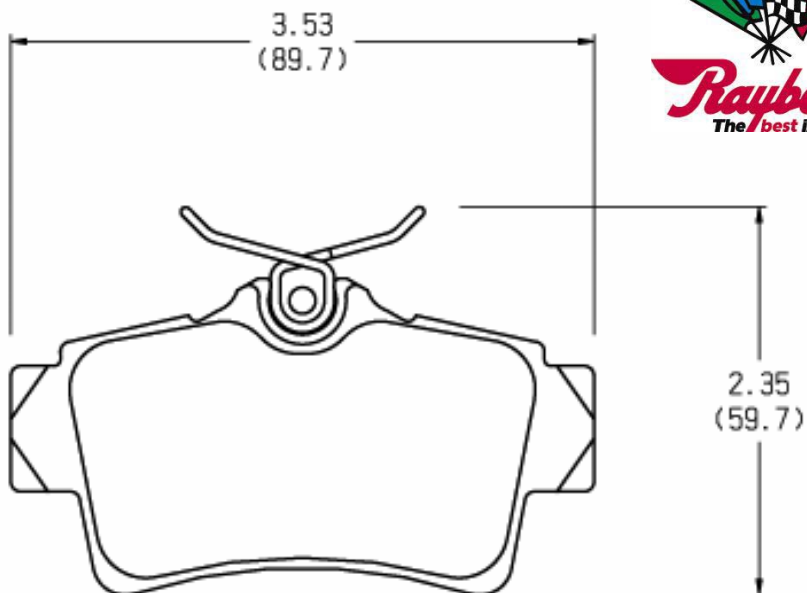
## Raybestos Part Numbers

## Caliper Application

Part #	Thickness	Fitments
R623	.63" / 16.0mm	Camaro, Firebird

# R627

FMSI # D627



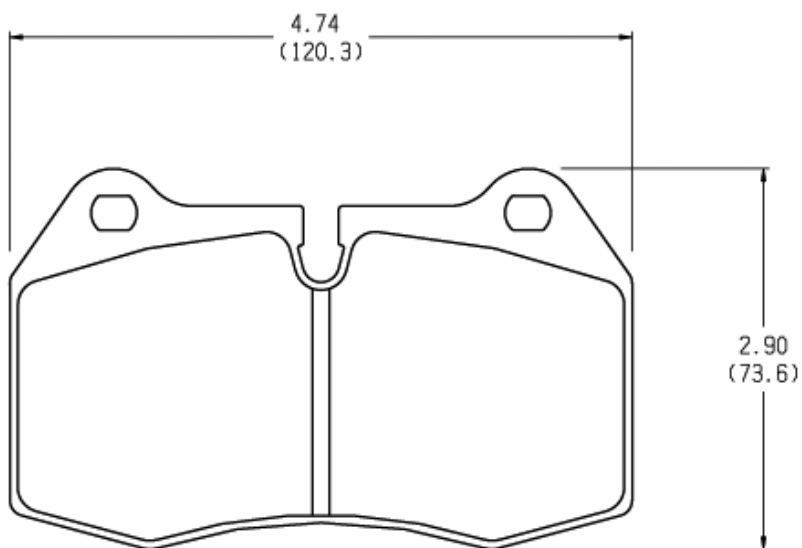
## Raybestos Part Numbers

## Caliper Application

Part #	Thickness	Fitments
R627	.59" / 15.0mm	Mustang, Wilwood

# R639

FMSI # D639

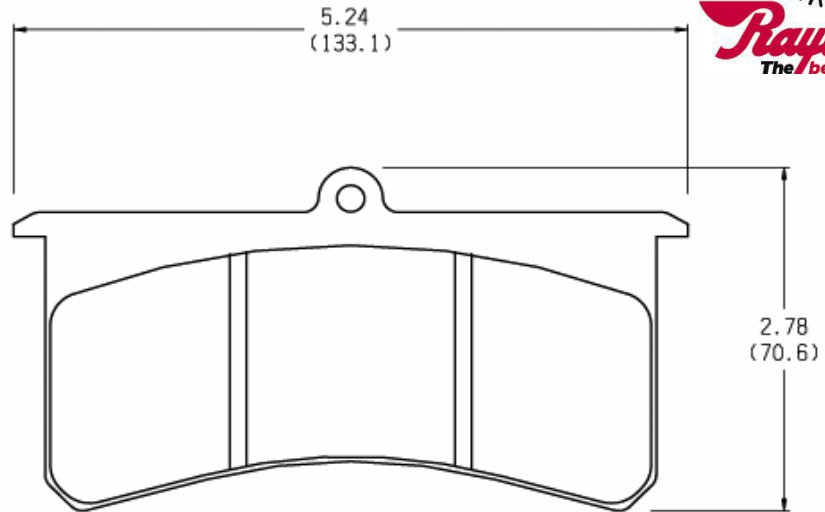


## Raybestos Part Numbers

## Caliper Application

Part #	Thickness	Fitments
R639	.66" / 17.0mm	BMW, Brembo

# R700

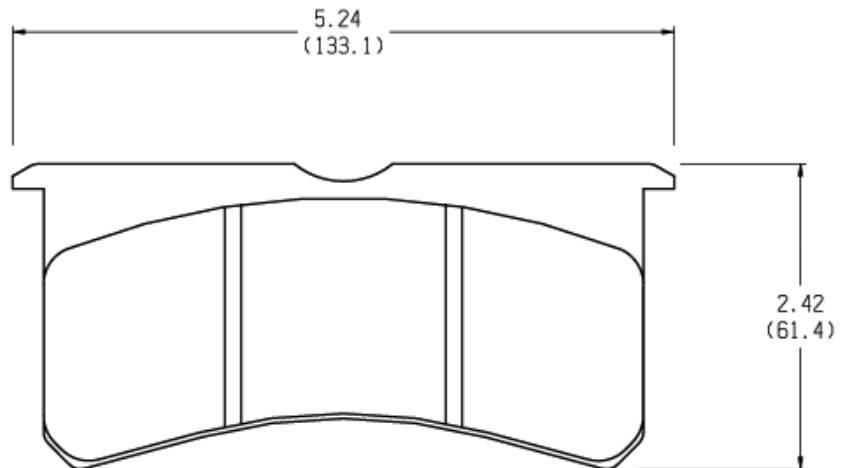


## Raybestos Part Numbers

## Caliper Application

Part #	Thickness	Fitments
R700	.80" / 20.3mm	Aerospace, AP Racing, Coleman, JFZ, Outlaw, Sierra, Wilwood
R700A	.47" / 12.0mm	
R700B	.63" / 16.0mm	

# R701



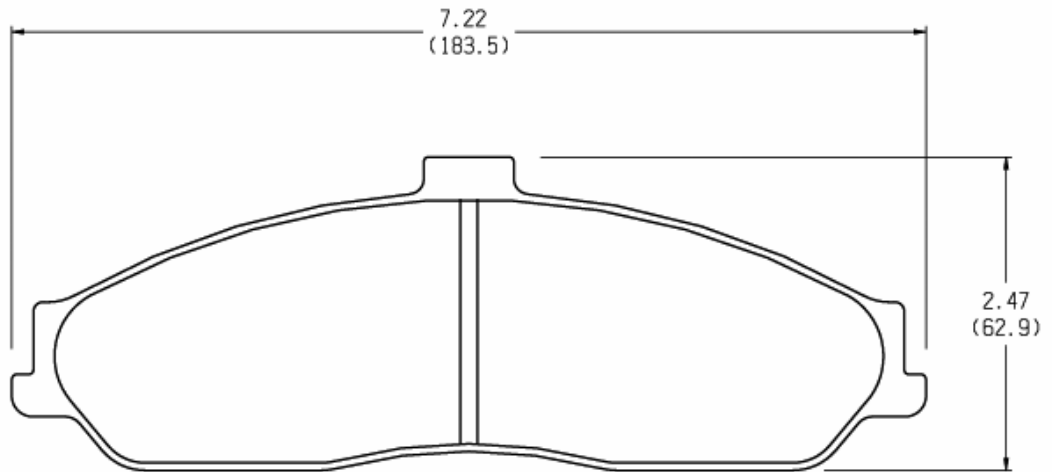
## Raybestos Part Numbers

## Caliper Application

Part #	Thickness	Fitments
R701	.80" / 20.3mm	Wilwood
R701A	.47" / 12.0mm	
R701B	.63" / 16.0mm	
R701C	.65" / 16.5mm	

# R731

FMSI # D731



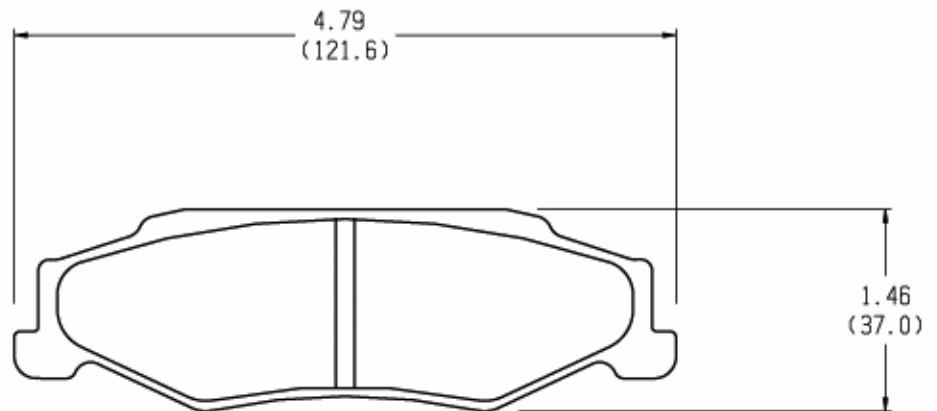
### Raybestos Part Numbers

### Caliper Application

Part #	Thickness	Fitments
R731	.80" / 20.3mm	Corvette, PBR
R731A	.58" / 15.0mm	

# R732

FMSI # D732

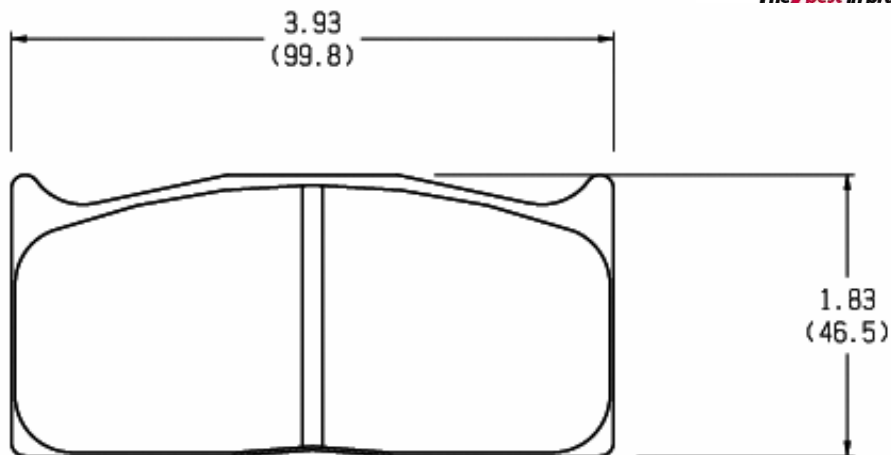


### Raybestos Part Numbers

### Caliper Application

Part #	Thickness	Fitments
R732	.64" / 16.3mm	Corvette, PBR

# R735

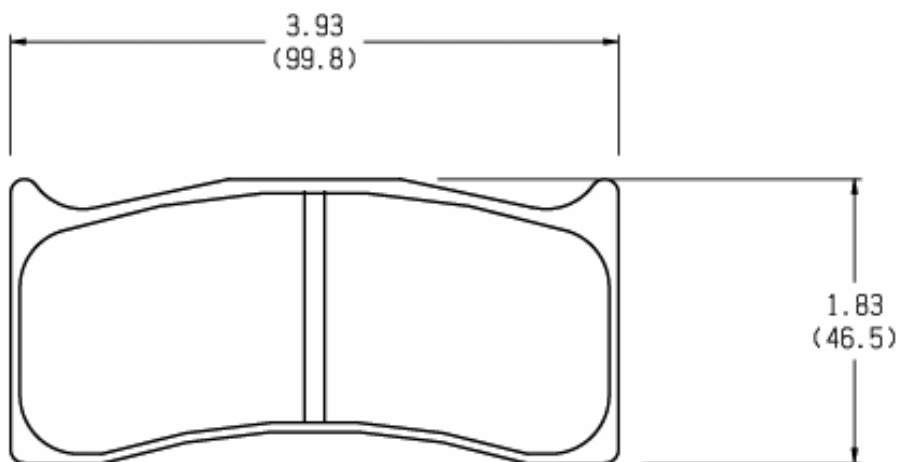


## Raybestos Part Numbers

## Caliper Application

Part #	Thickness	Fitments
R735	.63" / 16.0mm	Alcon, AP Racing, Brembo, Raybestos, Wilwood
R735A	.78" / 20.0mm	
R735B	.85" / 22.0mm	

# R736



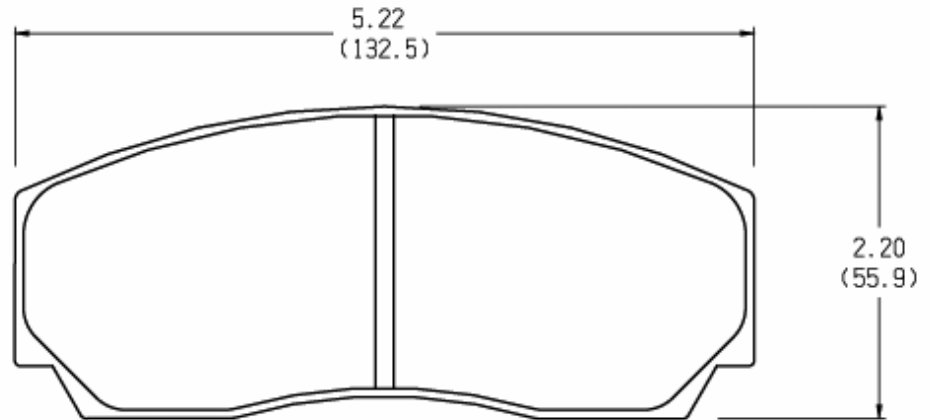
## Raybestos Part Numbers

## Caliper Application

Part #	Thickness	Fitments
R736	.63" / 16.0mm	Alcon, AP Racing, Brembo, Raybestos, Toyota, Atlantic, Wilwood
R736A	.78" / 20.0mm	
R736B	.85" / 22.0mm	



# R767

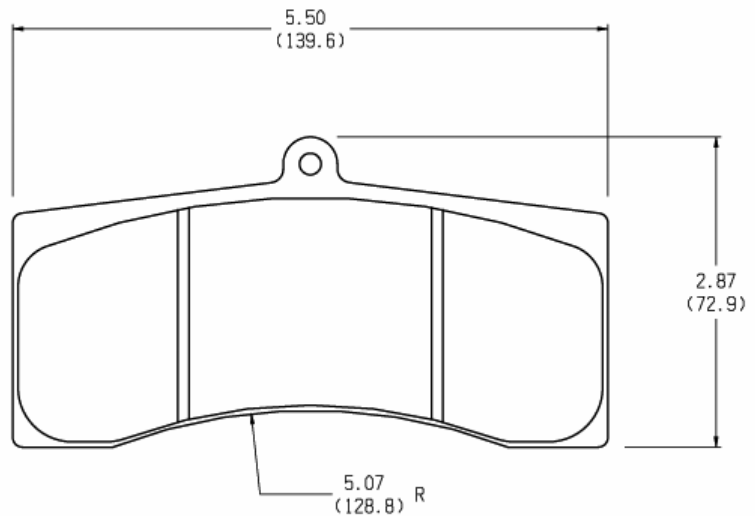


## Raybestos Part Numbers

## Caliper Application

Part #	Thickness	Fitments
R767	.67" / 17.0mm	AP Racing
R767A	.82" / 21.0mm	
R767B	.63" / 16.0mm	
R767C	.98" / 25.0mm	

# R770

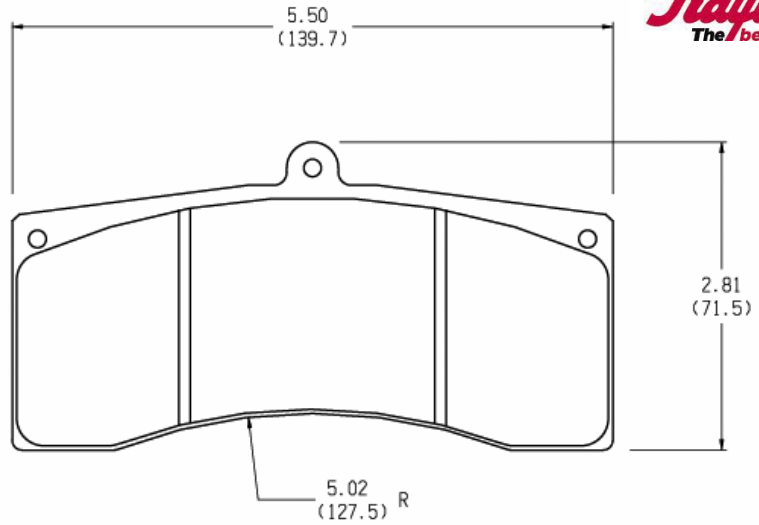


## Raybestos Part Numbers

## Caliper Application

Part #	Thickness	Fitments
R770	.79" / 20.2mm	Brembo, Ferrari, Wilwood
R770A	.98" / 25.0mm	
R770B	1.10" / 28.0mm	
R770C	1.02" / 26.0mm	
R770D	.86" / 22.0mm	
R770E	1.18" / 30.0mm	
R770F	.69" / 17.5mm	

# R771



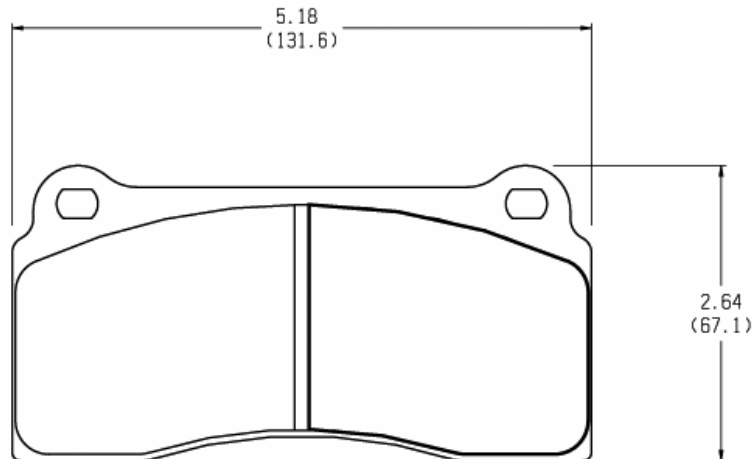
## Raybestos Part Numbers

## Caliper Application

Part #	Thickness	Fitments
R771	.79" / 20.0mm	Brembo, Wilwood
R771A	1.02" / 26.0mm	

# R780

FMSI # D810

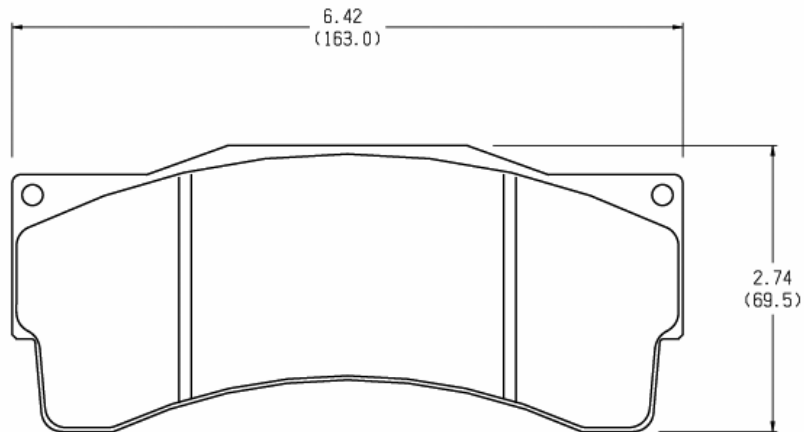


## Raybestos Part Numbers

## Caliper Application

Part #	Thickness	Fitments
R780	.71" / 18.0mm	Brembo, Ferrari, Jaguar, Panoz
R780A	.68" / 17.3mm	

# R800

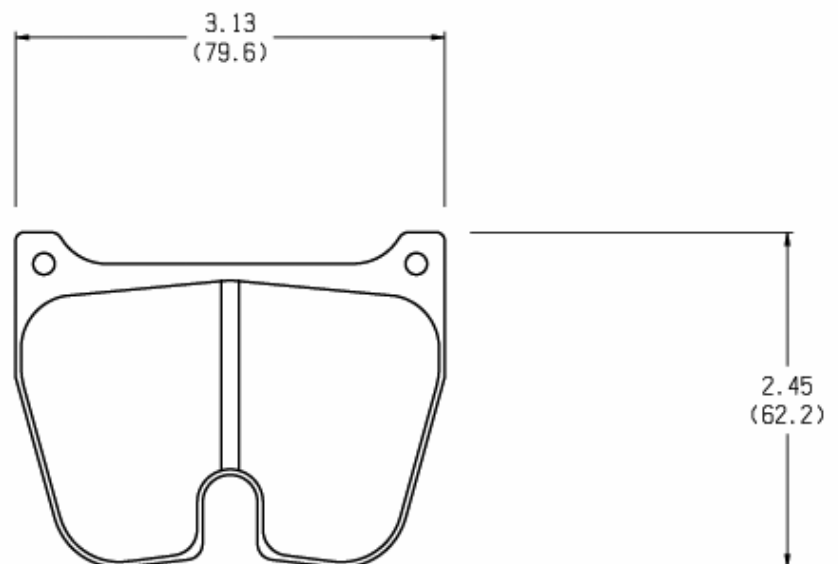


## Raybestos Part Numbers

## Caliper Application

Part #	Thickness	Fitments
R800	.71" / 18.0mm	Wilwood

# R801

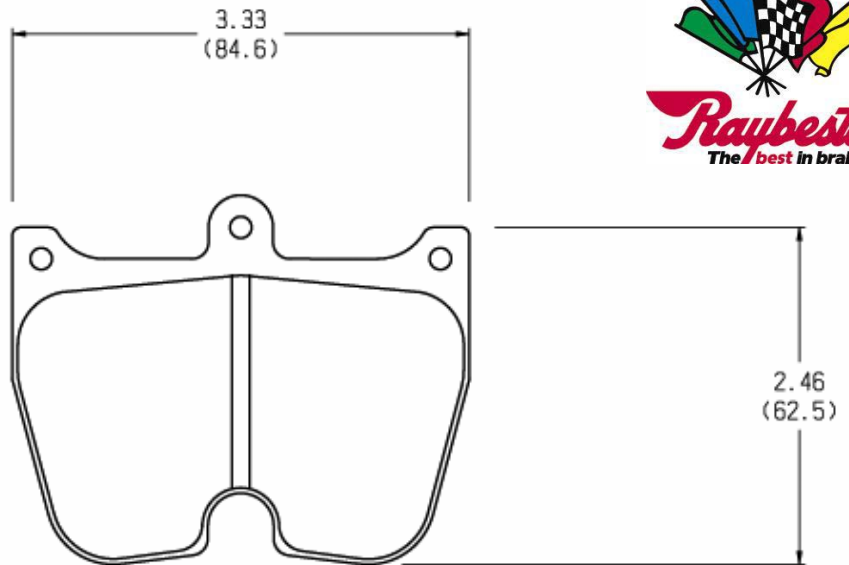


## Raybestos Part Numbers

## Caliper Application

Part #	Thickness	Fitments
R801	.79" / 20.0mm	Aerospace, Brembo, Wilwood
R801A	.69" / 17.5mm	
R801B	.86" / 22.0mm	

# R802

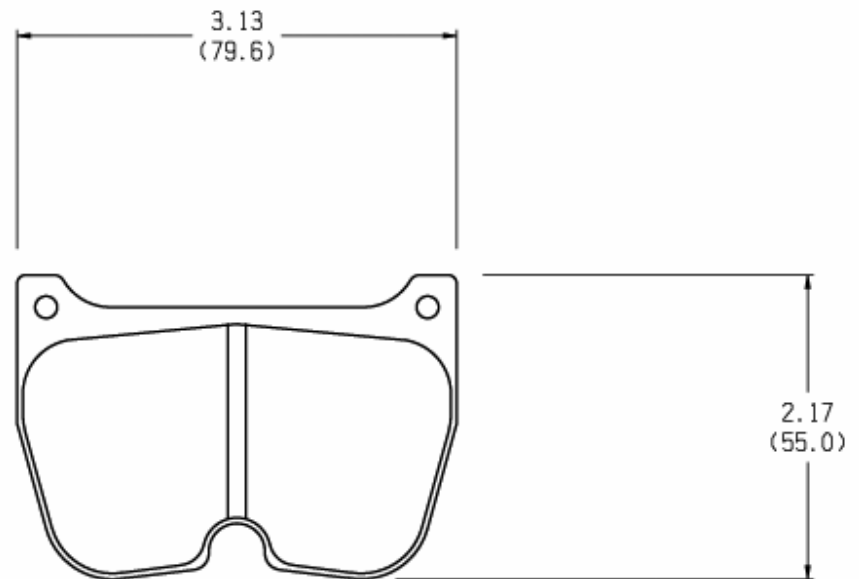


## Raybestos Part Numbers

## Caliper Application

Part #	Thickness	Fitments
R802	.79" / 20.0mm	Brembo

# R803

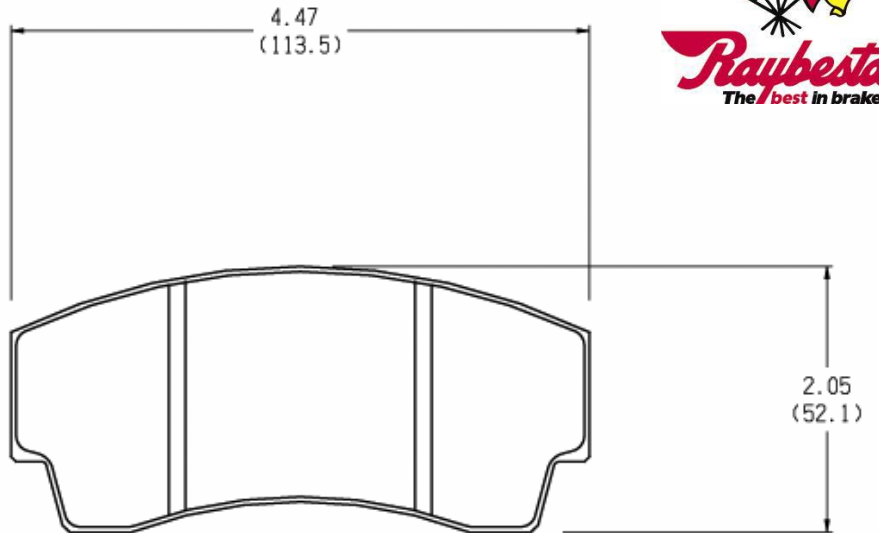


## Raybestos Part Numbers

## Caliper Application

Part #	Thickness	Fitments
R803	.79" / 20.0mm	Brembo, WRC, CART, OWRS

# R804

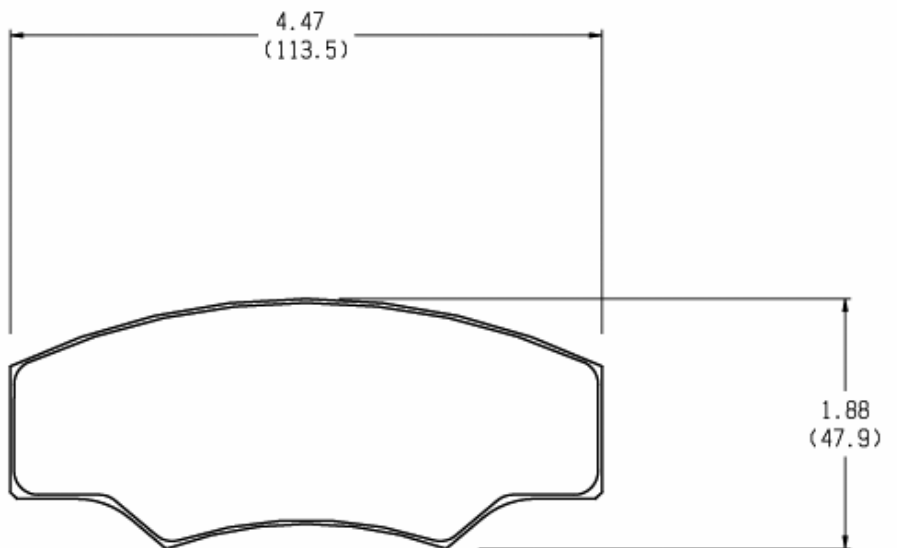


## Raybestos Part Numbers

## Caliper Application

Part #	Thickness	Fitments
R804	.63" / 16.0mm	Alcon "H", AP Racing, Formula
R804A	.98" / 25.0mm	Atlantic

# R805

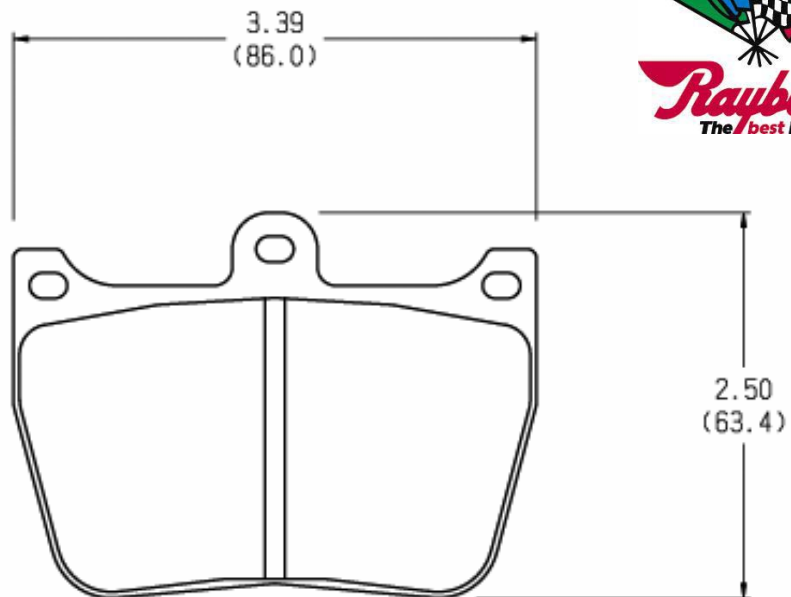


## Raybestos Part Numbers

## Caliper Application

Part #	Thickness	Fitments
R805	.63" / 16.0mm	Alcon "H", AP Racing, Formula
		Atlantic, Lotus

# R806

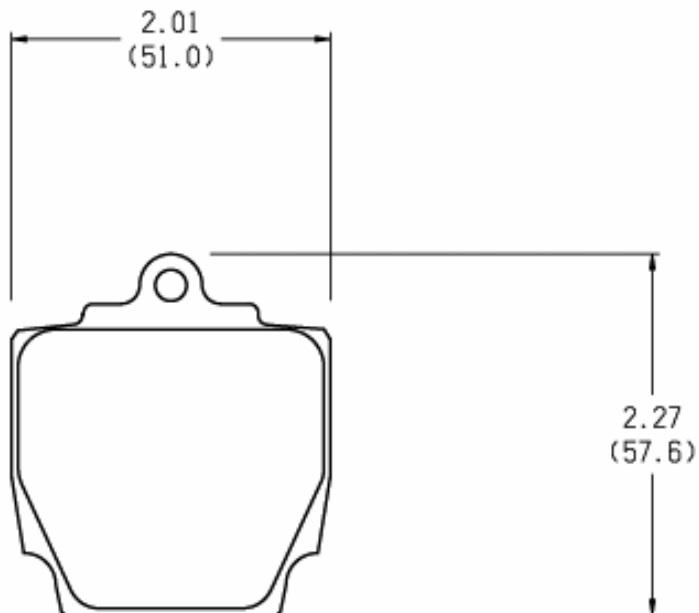


## Raybestos Part Numbers

## Caliper Application

Part #	Thickness	Fitments
R806	.59" / 15.0mm	Brembo
R806A	.79" / 20.0mm	
R806B	.70" / 17.8mm	

# R807

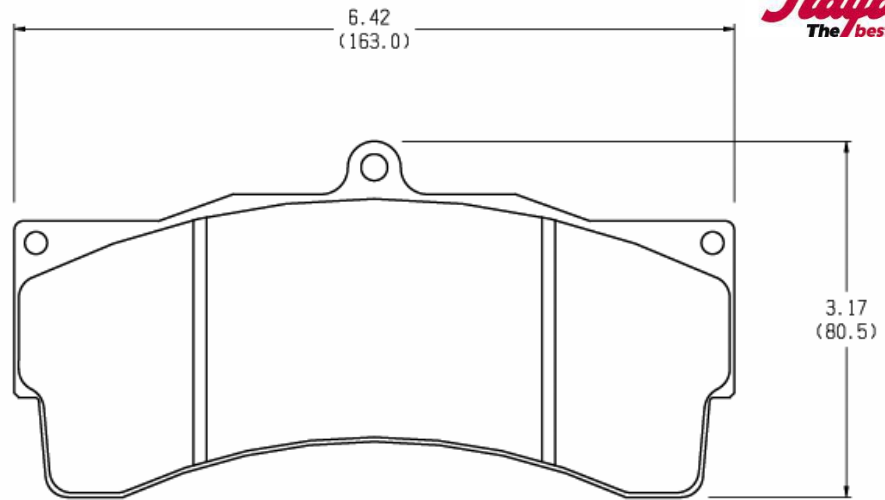


## Raybestos Part Numbers

## Caliper Application

Part #	Thickness	Fitments
R807	.71" / 18.0mm	Alcon 6 Piston
R807A	.67" / 17.0mm	

# R808

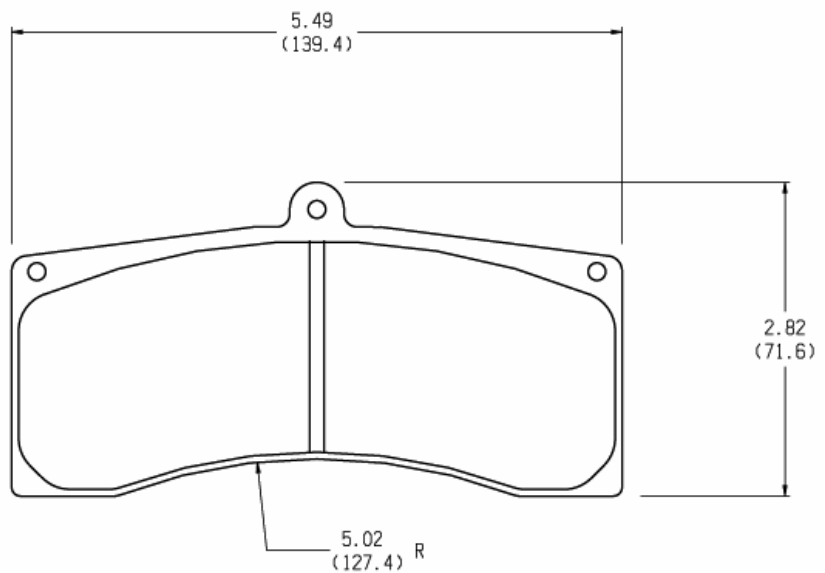


## Raybestos Part Numbers

## Caliper Application

Part #	Thickness	Fitments
R808	.98" / 25.0mm	AP Racing
R808A	1.18" / 30.0mm	

# R809

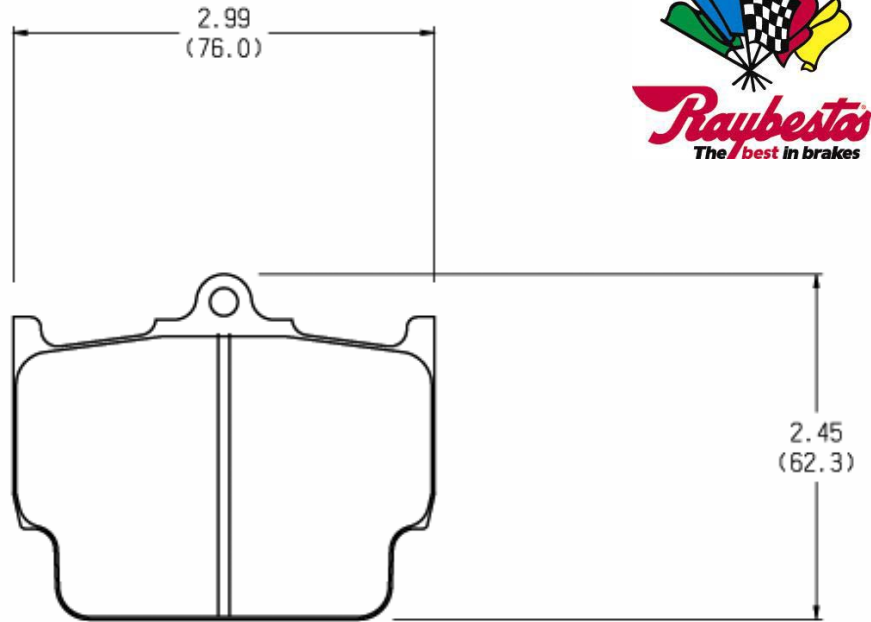


## Raybestos Part Numbers

## Caliper Application

Part #	Thickness	Fitments
R809	.78" / 20.0mm	AP Racing

# R811

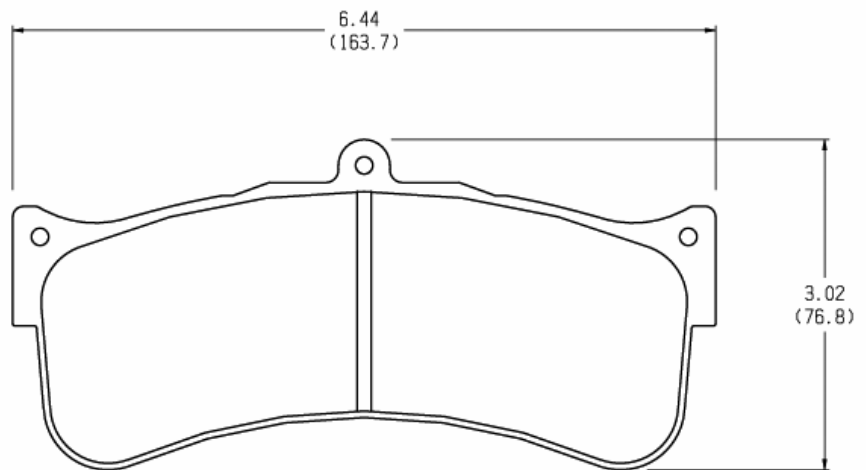


## Raybestos Part Numbers

## Caliper Application

Part #	Thickness	Fitments
R811	.78" / 20.0mm	Alcon

# R820



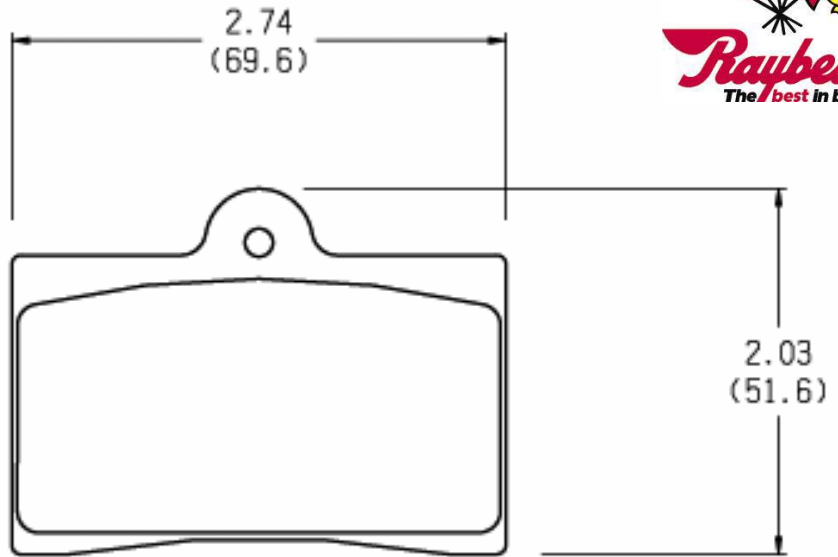
## Raybestos Part Numbers

## Caliper Application

Part #	Thickness	Fitments
R820	1.14" / 29.0mm	ALMS, Brembo, FIA
R820A	.98" / 25.0mm	



# R883

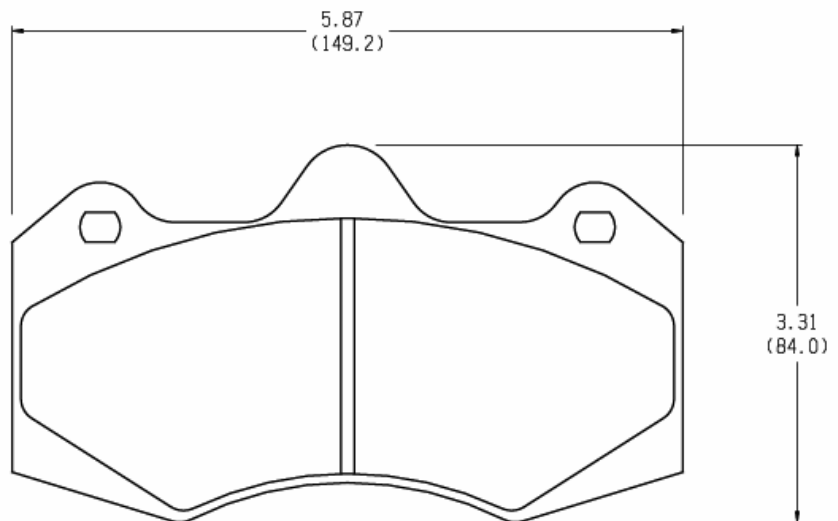


## Raybestos Part Numbers

## Caliper Application

Part #	Thickness	Fitments
R883	.44" / 11.2mm	Brembo

# R921

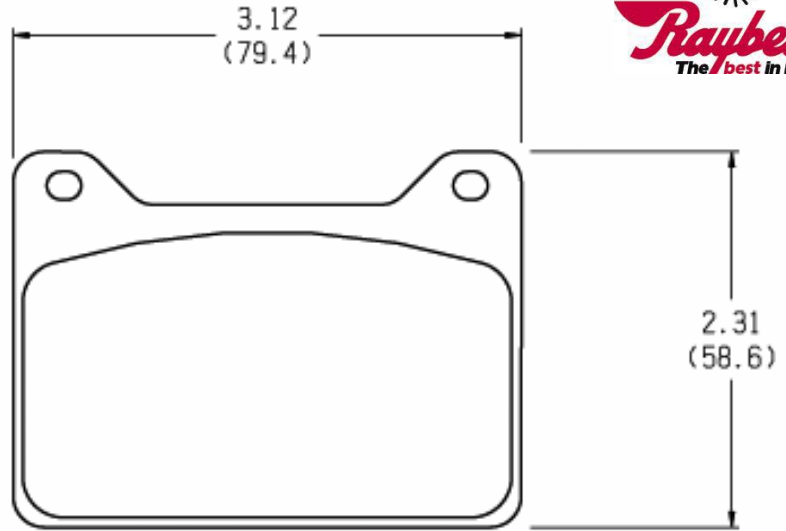


## Raybestos Part Numbers

## Caliper Application

Part #	Thickness	Fitments
R921	.69" / 18.0mm	

# R1000



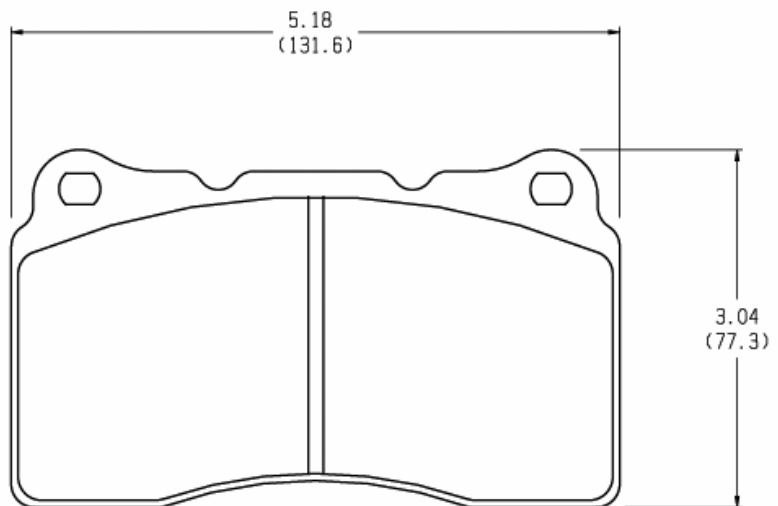
## Raybestos Part Numbers

## Caliper Application

Part #	Thickness	Fitments
R1000	.50" / 12.5mm	Wilwood

# R1001

FMSI # D1001

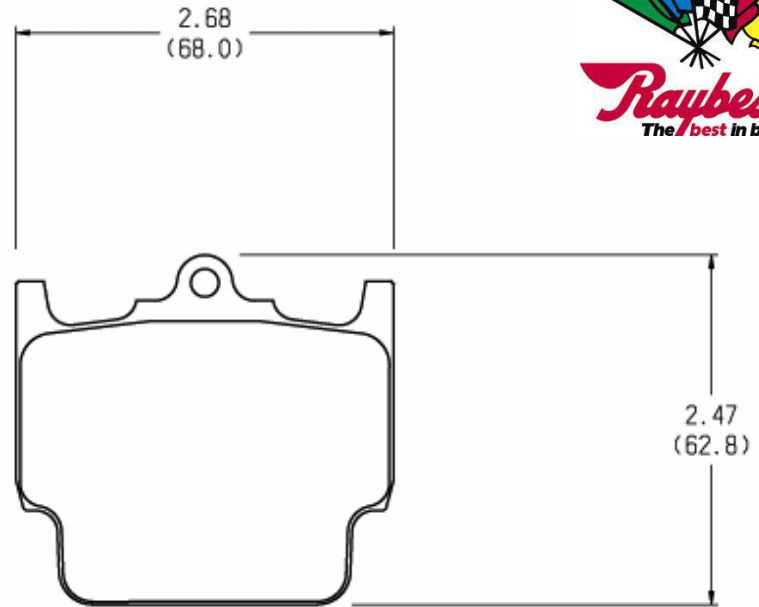


## Raybestos Part Numbers

## Caliper Application

Part #	Thickness	Fitments
R1001	.59" / 15.0mm	Bembo, Mitsubishi Evoluton,
R1001A	.70" / 18.0mm	Subaru WRX
R1001B	.65" / 16.5mm	

# R1150

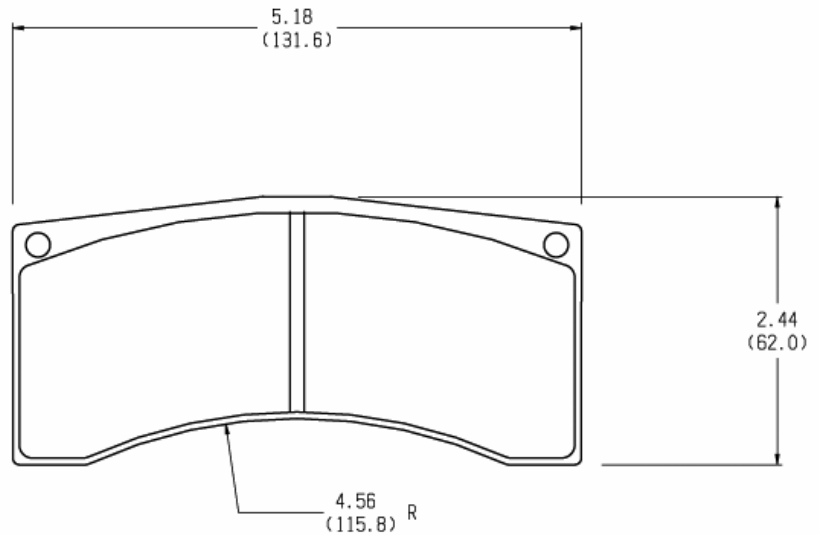


## Raybestos Part Numbers

## Caliper Application

Part #	Thickness	Fitments
R1150	.67" / 17.0mm	Alcon

# R2000

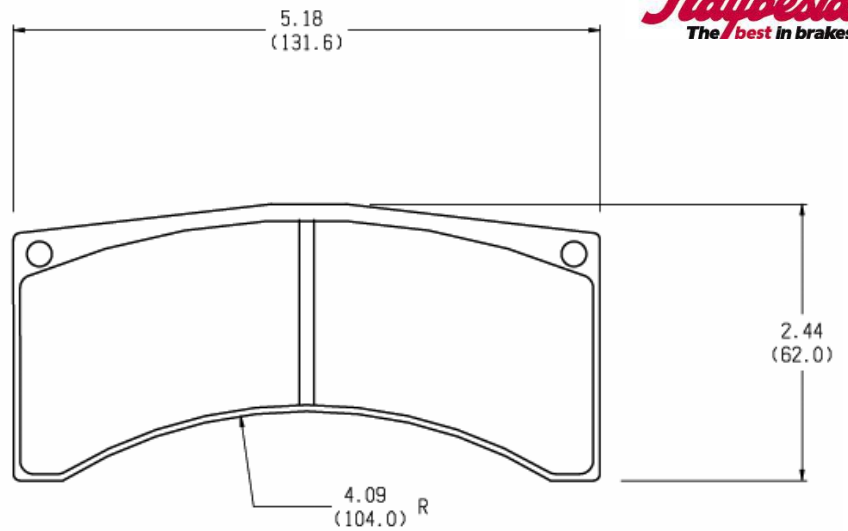


## Raybestos Part Numbers

## Caliper Application

Part #	Thickness	Fitments
R2000	.63" / 16.0mm	Alcon "B", Brembo, Coleman,
R2000A	.71" / 18.0mm	Raybestos, Wilwood
R2000B	.78" / 20.0mm	
R2000C	.96" / 24.5mm	
R2000D	1.04" / 26.5mm	

# R2001

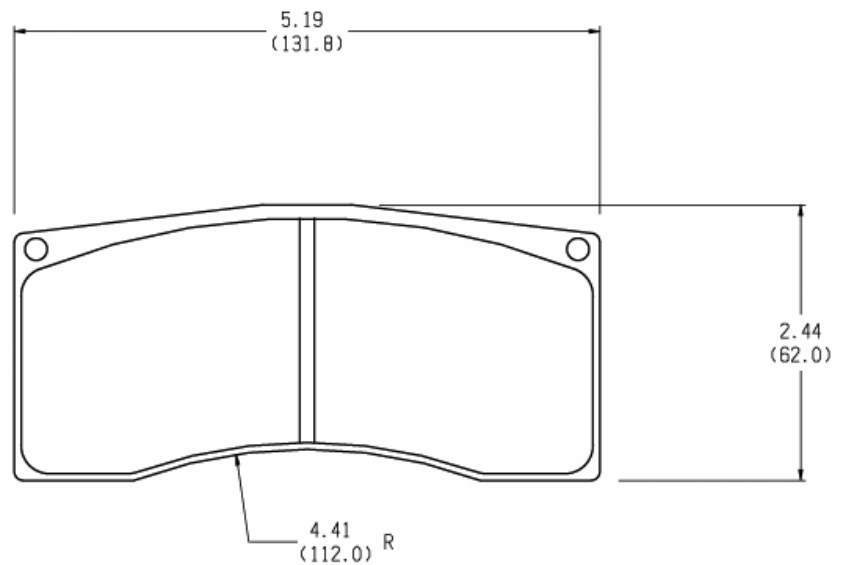


## Raybestos Part Numbers

## Caliper Application

Part #	Thickness	Fitments
R2001	.64" / 16.3mm	

# R2002

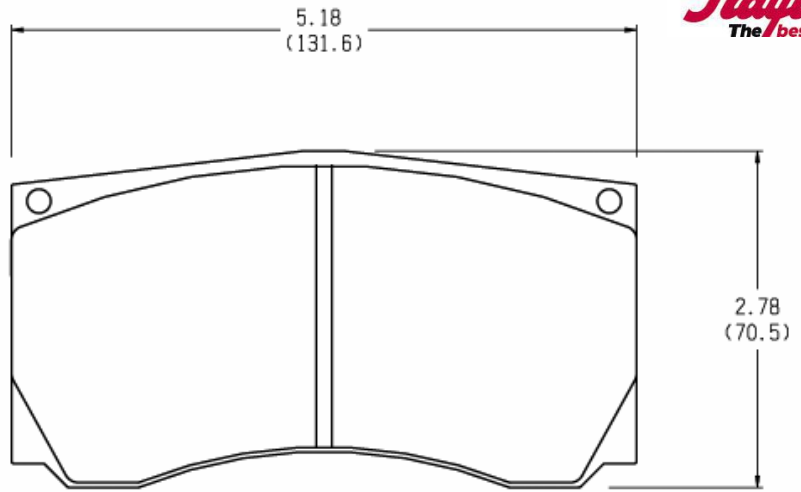


## Raybestos Part Numbers

## Caliper Application

Part #	Thickness	Fitments
R2002	.98" / 25.0mm	Alcon, Raybestos
R2002A	.78" / 20.0mm	
R2002B	.63" / 16.0mm	

# R2400

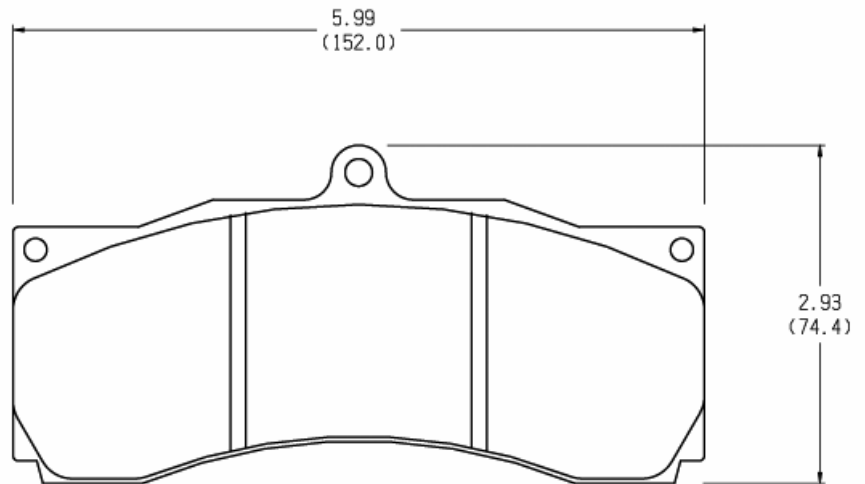


## Raybestos Part Numbers

## Caliper Application

Part #	Thickness	Fitments
R2400	.63" / 16.0mm	Alcon "K", Wilwood
R2400A	.70" / 18.0mm	
R2400B	.79" / 20.0mm	

# R2600

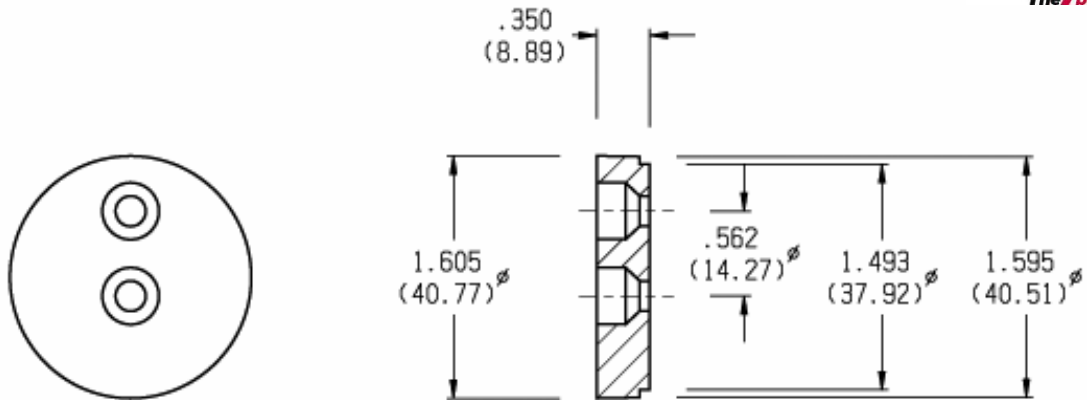


## Raybestos Part Numbers

## Caliper Application

Part #	Thickness	Fitments
R2600	.71" / 18.2mm	Alcon, AP Racing, Coleman, Raybestos, Wilwood
R2600A	1.10" / 28.0mm	
R2600B	.78" / 20.0mm	
R2600C	.98" / 25.0mm	
R2600D	1.18" / 30.0mm	

# Spot Pad



## Raybestos Part Numbers

## Caliper Application

Part #	Thickness	Fitments
Spot Pad	.35" / 8.9mm	Wilwood